



TALIUS[®]

2024

ROLLSHUTTER
RETAIL PRICE LIST

Recommended Fastener Schedule

Screw and Anchor Schedule for Rollshutters

Use the following recommended fastener schedule as a guide to installations on various substrates. These are the minimum requirements to meet Talius installation guidelines for warranty coverage.

SUBSTRATE MATERIAL	ATTACHMENT OF:	WIND & HEAVYDUTY applications Curtain Weight greater than 50 lbs. Wind Speed greater than 60 Mph	LIGHT-DUTY applications Curtain Weight less than 50 lbs. Wind Speed less than 60 Mph	MINIMUM EMBEDMENT Beyond the finishing material in the structural elements	MAXIMUM ON-CENTRE SPACING FOR RAILS & BOX
Pressure Treated Wood	Rails, Sills and End Plates: (1 screw per plate for light duty applications, 2 screws per plate for wind and heavy duty applications)	1/4" stainless-steel Lag screw	#8 stainless-steel wood screws	1 1/2"	10 - 12" light-duty or heavy-duty applications
Concrete, CMU Block, Brick		1/4" - 410 stainless-steel Tapcon	3/16" - 410 stainless-steel concrete anchors	1 1/4"	10 - 12" light-duty 7 - 8" heavy-duty applications
Galvanized Steel of 1/8" minimum thickness		1/4" - 410 stainless-steel Tapcon or 18-8 stainless-steel self-drilling/tapping sheet metal screws	# 8 - 410 or 18-8 stainless-steel self-drilling/tapping sheet metal screws	1/8" wall thickness	12" - 14" light-duty or heavy-duty applications
Pressure Treated Wood	Centre Rail Centre Plate: (2 screws per plate)	1/4" stainless-steel Lag screw	#8 Stainless Steel wood Screws	1 1/2"	10 - 12" light-duty 8 - 10" heavy-duty applications
Concrete, CMU Block, Brick		1/4" 410 stainless-steel Tapcon	3/16" - 410 stainless-steel concrete anchors	1 1/4"	8 - 10" light-duty 5 - 6" heavy-duty applications
Galvanized Steel of 1/8" minimum thickness		1/4" 410 or 18-8 stainless-steel self-drilling/tapping sheet metal screws	# 8 - 410 or 18 - 8 stainless-steel self-drilling/tapping sheet metal screws	1/8" wall thickness	8 - 10" light-duty or heavy-duty applications
Pressure Treated Wood	Panel Box Back Lid	1/4" stainless-steel Lag screw	#8 stainless-steel wood screws	1 1/2"	14 - 16" light-duty 10 - 12" heavy-duty
Concrete, CMU Block, Brick		1/4" - 410 stainless-steel Tapcon	3/16" - 410 stainless-steel concrete anchors	1 1/4"	14 - 16" light-duty 10 - 12" heavy-duty
Galvanized Steel of 1/8" minimum thickness		1/4" - 410 stainless-steel Tapcon or 18-8 stainless-steel self-drilling/tapping sheet metal screws	# 8 - 410 or 18 - 8 stainless-steel self-drilling/tapping sheet metal screws	1/8" wall thickness	14 - 16" light-duty or heavy-duty

- For edge distance, end distance, and minimum on-centre spacing, see manufacturer data
- Panel box screws will be attached with 3/4"Ø minimum stainless-steel washer

Table of Contents

■Talius Partner Zone at talius.com	ii
■How to price a Rollshutter and fill out a Spec Sheet.....	1
■Rollshutter Spec Sheet.....	3
■Multiple Curtain Rollshutter & Storm Bars Specification Sheet	4
■SAFE View Specification Sheet	5
■AG-77 Specification Sheet	6
■General Technical Requirements Maximum Dimensions.....	7
Mounting Options: Width Dimensions ("A").....	8
Mounting Options: Height Dimensions ("B").....	9
Clearance for Panel Boxes.....	10
■Guide Rails.....	11
■Solutions and Applications Chart	13
■HQ Macro.....	14
■SHIELD Mini	18
■SAFE Mini™	23
■SAFE Mini™ with SafeGuard End Retention Rail System.....	28
■AG-77	31

■SAFE View.....	39
■Multiple Section Rollshutters	
About Splitting Rollshutters	41
Maximum Dimensions.....	41
■Paint Options	
Custom Paint Options	42
Talius Anti-Graffiti Coating	42
Logo Printing.....	43
■Sills	44
■Build-Up	
3/8" & 7/8" Build-up	44
L-Shaped Build-Up	45
■Locking Options	
Manual Sliding Lock Bars	46
Centre Key Lock (Access Both Sides).....	46
Octopod Centre-Mounted Sliding Bar Key Lock	46
Talius Hanger Locks.....	47
Talius Magnetic Alarm Sensors	47
■Storm Bars & Cross Bars	
Storm Bar	48
Cross Bar.....	48
Storm Bar Mounting Location Examples.....	49
■Operator Options	
Manual Operators • Gear with Crank Rod	50
Reverse Side Operators.....	50
Motorized Operators	51
Standard Limit Motor Component Options.....	53
Important information about Talius	
Motor Operators for Standard Limit Motors	55
Transmitters for Somfy® RTS Motors	56
Somfy® RTS Transmitters	57
■Tips for Integrating Rollshutters with Home Automation.....	60

Enhance your experience

with Talius by visiting our

Partner Zone

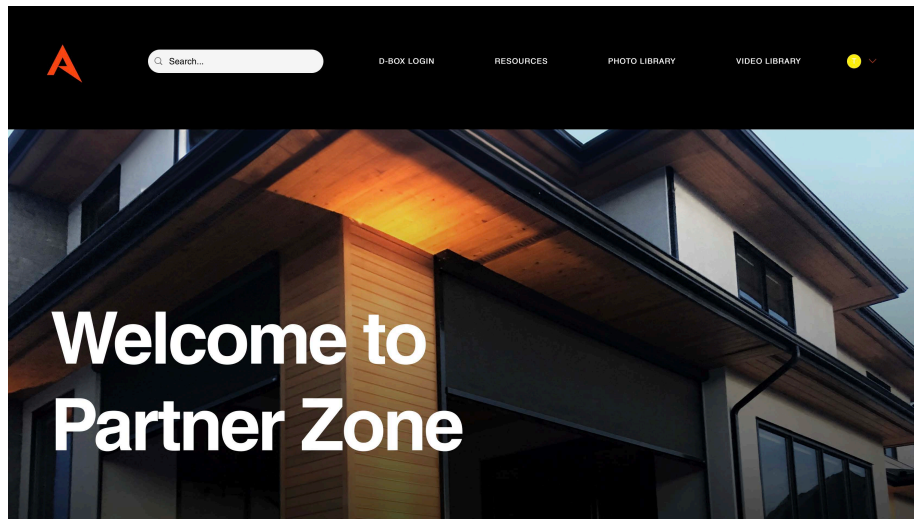
on talius.com where you will find additional valuable information about Talius products and services.

Developed with our Channel Partners in mind, our Partner Zone is your portal for technical information to help your project run smoothly, from planning to installation. Discover the many dynamic features and reap the profitable benefits that this easy-to-navigate, practical and informative resource centre has to offer. You will find all the information you will need to specify, sell and install Talius products with confidence.

Preview and download installation and technical information all at your fingertips.

Information available on our Partner Zone include:

- General technical requirements
- Applications
- Component options
- Electrical component options
- Architectural drawings in both PDF and CAD formats
- Written specifications
- Wiring Diagrams
- Installation guides and tips
- Warranty Documents
- Talius Brochures
- Talius Logo
- Talius photo library
- Talius News



If you are looking for a specific shop drawing, photo, or other resource that you cannot find on our Partner Zone, contact our knowledgeable Channel Sales Team. They can provide technical information, quotes, project advice and even help you pursue product alternate approval on project specifications.

To learn more about how we work together to grow your business with Talius, please contact us.

■ How to price a Rollshutter and fill out a Spec Sheet

Base (Grid) Prices Include:

- Curtain assembly with bottom profile
- Panel box assembly with shaft, excluding operator device
- Your choice of two side guide rail assemblies:
 - PRO or SAFE for Macro or Mini curtain profiles
 - GR-100 for AG-77 curtain profiles
 - GRM-66 or GR-75 for SAFE View curtain profiles
- Base prices do not include options such as sills, build-up components, operators, electrical switching components, and custom colours.

Step-by-step Spec Sheet and Pricing Instructions

Follow the pricing steps below in sequence. Pass over any steps that do not apply to your rollshutter. The sum of all the steps is the price of the rollshutter. Applicable taxes, freight surcharges, special packaging and installation costs vary between regions and are not shown in this price list.

Step 1: Multiple Curtain Sections

For specs and general information on split rollshutters see page 41.

For quotes on split rollshutters please contact the Talius Channel Sales team.

Step 2: Curtain Type

a. Select the appropriate rollshutter curtain type

Based on your desired solution and the type of application required for your rollshutter, choose the appropriate rollshutter curtain type from the Solutions and Applications chart (page 13).

Note: It is important that the rollshutter curtain type that you choose matches both the solution and the application you require.

b. Reference the appropriate price table

Based on your preferred curtain profile, choose:

- | | |
|-----------------------------|-------------|
| a. HQ Macro | Pages 14–17 |
| b. SHIELD Mini | Pages 18–22 |
| c. SAFE Mini | Pages 23–27 |
| d. SAFE Mini with SafeGuard | Pages 28–32 |
| e. AG-77 | Pages 31–38 |
| f. SAFE View | Pages 39–40 |

Step 3: Guide Rails (pages 11 & 12)

The pricing tables include your choice of two side guide rail assemblies.

Note: For all rollshutters wider than 8' and for rollshutters used in windy conditions or for high security, we recommend an upgrade to PRO-40, or SAFE-40 guide rails: \$45 per rollshutter unit or the SafeGuard rail for Safe Mini™ curtain profile for an additional \$89/metre.

Step 4: Dimensions

a. Determine the width (page 8)

For pricing purposes, our price grids use the A2 dimension (width including guide rails). If your actual measured rollshutter dimension is an A1 (width excluding guide rails). Please see pages 11 & 12 for guide rail widths to add to your A1 before looking up a base price for the unit.

Note: This is only a guideline to make pricing easier and not to be used for reporting real dimensions for manufacturing.

b. Determine the height (page 9)

For pricing purposes, our price grids use the B1 dimensions (height of the guide rails, excluding the panel box). If your actual measured rollshutter dimension is the height including the panel box, deduct the approximate estimated size of the panel box before looking up a base price for the unit or the section corresponding to profile types.

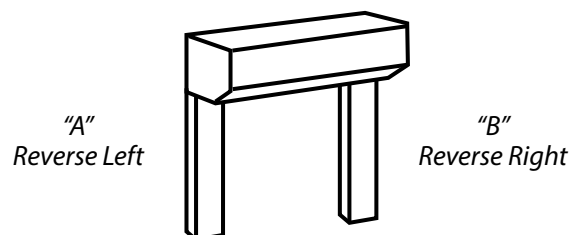
Note: Please ensure that your B1 measurement includes the upset for the bottom profile and if applicable downset for u-sill.

c. Intersection of width and height

The intersection shows you the base price of your rollshutter. Since most measurements fall between the increments, on the page grid, adopt the next higher price on the grid.

Step 5: Operator

Choose the operator position for your unit that best fits your site.



How to price a Rollshutter and fill out a Spec Sheet (continued)

Step 6: Operator Components

(See individual pricing tables for each profile type.)

Base prices do not include operators or electrical switching components. To determine the appropriate operator cost, match the applicable colour of the colour coded pricing section with the corresponding colour in the motor table at the top of each page. If you select a manual operator or a manual override motor be sure to select your desired exit hole location on your spec sheet.

Note:

- Motor price charts include switches as noted beneath the charts.
- Manual operators are only available for rollshutters that are within the white or yellow coded sections of the tables. If different or additional switches and/or other operator components are needed see pricing on pages 50 - 57.

Step 7: Sills (page 44)

Step 8: Build-up (pages 44–45)

Step 9: Locks (page 46–47)

Step 10: Colour Selection

Standard factory colours for HQ Macro, Shield Mini, and Safe Mini™ are white, beige, brown, black or silver. AG-77 is available in white, black, brown or silver, and SafeView is only available in silver.

Note: If required, custom paint options are available.

Winterization Package - See page 10 for details.

Storm Bars:

Complete Multiple Curtain and Storm Bar Spec Sheet on page 4. For information refer to pages 48–49.




Rollshutters come with a 5 corner panel box. If your site requires the same panel box size on multiple units please indicate this on your spec sheet.

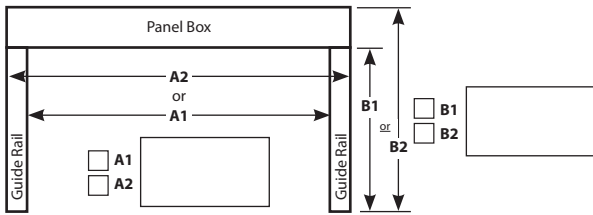
Customer Name: _____
 Tag Name: _____ Repeat Customer? Yes No
 Qty: _____ Unit Location: _____
 Unit # _____ Site Map# (if required) _____

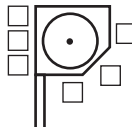
STEP 1: THIS UNIT CONTAINS: (Attach Multiple Curtain Rollshutter spec sheet)
 Multiple Curtain Sections Storm Bar(s)

STEP 2: CURTAIN TYPE (see Solutions & Applications chart)
 HQ MACRO SHIELD MINI SAFE MINI™
 SAFE VIEW - comes w/ GRM-66 or GR-75 rails

STEP 3: GUIDE RAILS
 PRO PRO-40 SAFE SAFE-40
 SAFEGUARD End Retention Rail System
 Is reinforcement for Bottom Profile required? Yes No
 Pre-drill rails: 8.5 mm 10 mm 14 mm


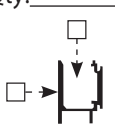
STEP 4: UNIT DIMENSIONS: Does your B1 measurement include:
 2" (50 mm) upset to allow bottom profile to clear the top of the opening? Yes Not required
 1 7/8" (48 mm) extra for U-Sill to be mounted below the opening? Yes Not required

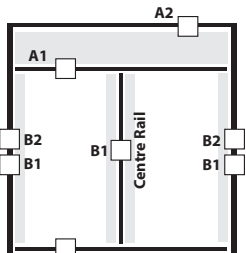
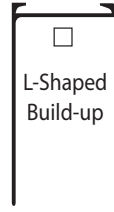


STEP 5: OPERATORS: Indicate Operator Location
 Operator from Reverse Side (shaft access)
 Left (L1) Right (L2)
Exit Hole Location
 For Crank Rod operator or Manual override select exit location


STEP 6: OPERATOR COMPONENT OPTIONS
Manual Gear Operator
 Handle: Default - Removable with bell connector Handle attached
 Torsion Spring: (unit with this operator must have sliding locks)
 Standard Limit Motor Switch
 Style: Maintained Momentary
 Paddle Switch: SPDT DPDT
 Medium Security Key Switch
Cover Plate: None Single Plastic Double Triple Stainless Quadruple
 High Security Key Switch Surface Recessed
Keyed: Different Alike Qty: _____
 Somfy RTS Motor
 Situ0 1 Transmitter
 Situ0 5 Transmitter
 Telis 16 Transmitter
 Decoflex 1 White
 Decoflex 5 White
 Somfy Keychain Remote
 24' Somfy RTS Motor Cable
 Upgrade to Manual Override Motor (Select crank rod)
 Attached Removable w/Bell Removable with Universal


Somfy® Specialty Transmitters
 Somfy MyLink™ Smooove® 1 Telis 1 Chronis RTS 24/7 Timer
 RTS Repeater Smooove® 4 Somfy® Key Chain Remote
 RTS Digital Keypad Smooove® Faceplate Colour: _____

STEP 7: SILLS
 L-Shaped 22 x 42mm (7/8" x 1-11/16"), Cut at A2 Qty: _____
 Safe U-Sill **Predrill U-Sill?**
 For Installation Location 
 For Weep Holes

STEP 8: BUILD-UP
 Check off on the diagram at the right where you want to have build-up, and then check off below, the build-up thickness required for each location




Total Build-up achieved with Pro or Safe Rail:					
<input type="checkbox"/>	<input type="checkbox"/>	<input type="checkbox"/>	<input type="checkbox"/>	<input type="checkbox"/>	<input type="checkbox"/>
2 15/16"	1 3/4"	1 1/4"	1"	3/4"	1/2"
75 mm	45 mm	32 mm	25 mm	19 mm	13 mm

Total Build-up achieved with Safe View or SafeGuard Rail:					
<input type="checkbox"/>	<input type="checkbox"/>	<input type="checkbox"/>	<input type="checkbox"/>	<input type="checkbox"/>	<input type="checkbox"/>
2 11/16"	1 5/8"	1 1/8"	7/8"	5/8"	3/8"
68 mm	41 mm	28.5 mm	22 mm	16 mm	9.5 mm

Build-up Tubing 2" x 1" 2" x 2" 2" x 3" 2" x 4"
Predrill Tubing? Location: 

STEP 9: LOCKS
 Automatic Locks: Talius Hanger Locks
Manual Locks: (Please indicate lock location and public access side)
 Manual Sliding Lock Bars
 Centre Key Lock, Access Both Sides
 Octopod Centre Key Lock, Access One Side
NOTE: Default Lock Location on Bottom Profile

	Regular	Reverse
Lock	<input type="checkbox"/>	<input type="checkbox"/>
Public	<input type="checkbox"/>	<input type="checkbox"/>



Magnetic Alarm Sensors (Only available with Safe Mini™)
 All motors will be installed on the left (L1) endplate and all sensors will be installed on the right (L2)
 In Curtain: Yes No
 In Panel Box: Yes No

STEP 10: COLOUR SELECTIONS

Colour	Curtain	Bottom Profile	Guide Rails	Panel Box	Sill	Build-up
White	<input type="checkbox"/>	<input type="checkbox"/>	<input type="checkbox"/>	<input type="checkbox"/>	<input type="checkbox"/>	<input type="checkbox"/>
Beige	<input type="checkbox"/>	<input type="checkbox"/>	<input type="checkbox"/>	<input type="checkbox"/>	<input type="checkbox"/>	<input type="checkbox"/>
Brown	<input type="checkbox"/>	<input type="checkbox"/>	<input type="checkbox"/>	<input type="checkbox"/>	<input type="checkbox"/>	<input type="checkbox"/>
Silver	<input type="checkbox"/>	<input type="checkbox"/>	<input type="checkbox"/>	<input type="checkbox"/>	<input type="checkbox"/>	<input type="checkbox"/>
Black	<input type="checkbox"/>	<input type="checkbox"/>	<input type="checkbox"/>	<input type="checkbox"/>	<input type="checkbox"/>	<input type="checkbox"/>
Custom Colour	<input type="checkbox"/>	<input type="checkbox"/>	<input type="checkbox"/>	<input type="checkbox"/>	<input type="checkbox"/>	<input type="checkbox"/>

Custom Colour Name: _____
Anti-Graffiti Coating: Please indicate which side (Refer to diagram in Step 9)
 Reg Rev Side

OPTIONAL: Winterization Package Yes No

NOTES _____

MULTIPLE CURTAIN ROLLSHUTTERS & STORM BARS

Order Quote Dealer: _____

Number: _____ Date: _____ PO#: _____

Customer (Tag) Name _____

Unit Location: _____ Unit # _____

All dimensions and right/left indications are recorded from the REVERSE (shaft access) side.

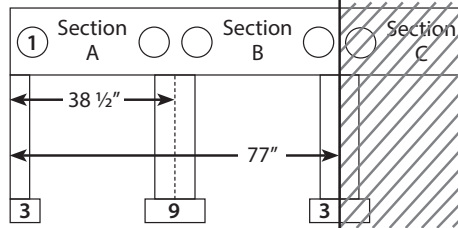


CONFIRM

INSTRUCTIONS:

- 1 Choose one diagram only, whichever is appropriate.
- 2 Cross out all non-applicable curtain sections
- 3 Show all Width dimensions by drawing lines with arrows across sections. Show either:
 - A2 to A2
 - A1 to A1
 - A1 to Centre
 - A2 to Centre
 - Centre to Centre
 - or combinations of each if necessary
- 4 Indicate the appropriate guide rail type by number in the boxes below the rails.
- 5 In the Operator table to the right, check off which curtain(s) each operator controls, and then write the operator number in the appropriate circle which identifies where you want to locate that operator. Note that some split units can have multiple operators.

Example:



Operator Operates Curtains Sections:						
#1	<input type="checkbox"/> A	<input type="checkbox"/> B	<input type="checkbox"/> C	<input type="checkbox"/> D	<input type="checkbox"/> E	<input type="checkbox"/> F
#2	<input type="checkbox"/> A	<input type="checkbox"/> B	<input type="checkbox"/> C	<input type="checkbox"/> D	<input type="checkbox"/> E	<input type="checkbox"/> F
#3	<input type="checkbox"/> A	<input type="checkbox"/> B	<input type="checkbox"/> C	<input type="checkbox"/> D	<input type="checkbox"/> E	<input type="checkbox"/> F
#4	<input type="checkbox"/> A	<input type="checkbox"/> B	<input type="checkbox"/> C	<input type="checkbox"/> D	<input type="checkbox"/> E	<input type="checkbox"/> F
#5	<input type="checkbox"/> A	<input type="checkbox"/> B	<input type="checkbox"/> C	<input type="checkbox"/> D	<input type="checkbox"/> E	<input type="checkbox"/> F
#6	<input type="checkbox"/> A	<input type="checkbox"/> B	<input type="checkbox"/> C	<input type="checkbox"/> D	<input type="checkbox"/> E	<input type="checkbox"/> F
#7	<input type="checkbox"/> A	<input type="checkbox"/> B	<input type="checkbox"/> C	<input type="checkbox"/> D	<input type="checkbox"/> E	<input type="checkbox"/> F

GUIDE RAIL CHOICES:

Side and Back-to-Back Rails

- 1 Pro
- 2 Pro-40
- 3 Safe
- 4 Safe-40
- 5 SafeGuard

Centre Rails

- 6 Pro Centre
- 7 Safe Centre

Operator Location → Section A Section B Section C Section D Section E Section F

Select Measur Select Measur Select Measur Select Measur Select Measur Select Measur

Rail Type →

Operator Location → Section A Section B Section C Section D Section E Section F

Select Measur Select Measur Select Measur Select Measur Select Measur Select Measur

Rail Type →

Operator Location → Section A Section B Section C Section D Section E Section F

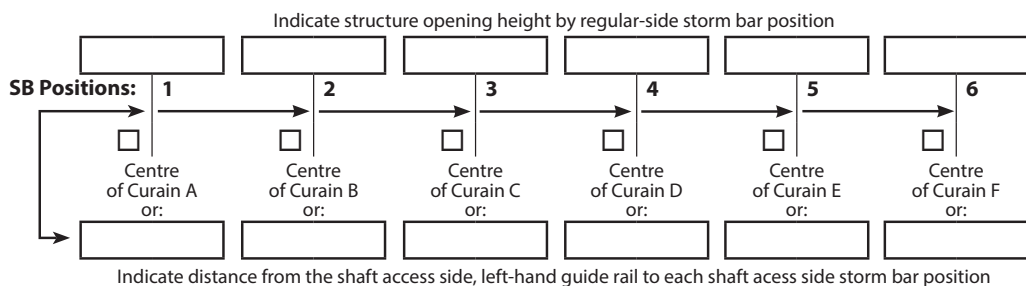
Select Measur Select Measur Select Measur Select Measur Select Measur Select Measur

Rail Type →

STORM BARS

Number of Regular Side Storm Bars

Number of Reverse Side Storm Bars





SAFE VIEW ROLLSHUTTER SPEC SHEET

Contact: channelsales@talius.com
Toll Free: 1.888.550.6205

Order Quote

Dealer: _____

Contact Name: _____

Date: _____ PO#: _____

SHIPPING: Your Carrier: _____ Acct #: _____ Talius Freight Program

CUSTOMER NAME: _____

Tag Name: _____ Repeat Customer? Yes No

Qty: _____ Unit Location: _____

Unit # _____ Site Map# (if required) _____

CURTAIN TYPE

SAFE VIEW PERFORATED 56



SAFE VIEW GRILLE 56



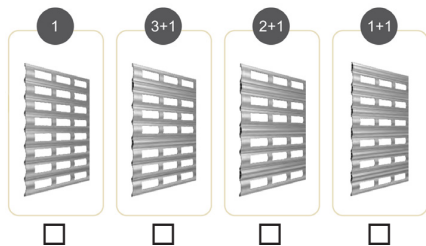
PROFILE COMBINATIONS

The profile combination is determined based on unit size. To see available profile combinations for your unit size, refer to page 40.

To ensure units match on an elevation, a unit can be upgraded to an alternate combination, for an upcharge.

When quoting, the Channel Sales Team will confirm which profile combination is required for this unit.

Select preferred profile combination:

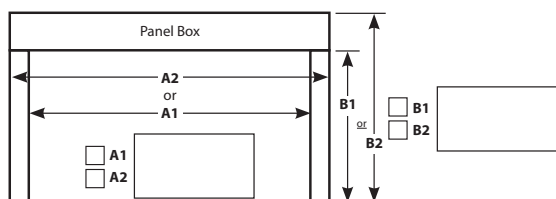


Match profile combination with unit(s) #: _____

UNIT DIMENSIONS

Does your B1 measurement include:

2" (50 mm) upset to allow bottom profile to clear the top of the opening? Yes Not required

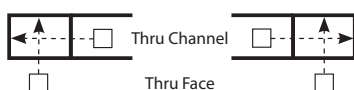


GUIDE RAILS

GRM-66 GR-75

Pre-drill rails:

8.5 mm
 10 mm
 14 mm



COLOUR SELECTIONS

Safe View curtains, GRM-66 rails and bottom profiles are only available in Silver.

Please select the colour for the panel box, build-up, sill and GR-75 Rails (if required):

- White
 - Beige
 - Brown
 - Black
 - Silver
 - Custom Colour
- Name: _____

SILLS

L-Shaped 22 x 42mm (7/8" x 1-11/16"), Cut at A2

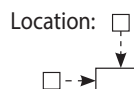
Extra Sill: Qty: _____ Length: _____

BUILD-UP

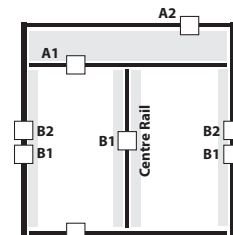
Check off on the diagram at the right where you want to have build-up, and then check off below, the build-up thickness required for each location

Build-up Tubing 2" x 3" 2" x 4"

Predrill Tubing



Yes No



LOCKS

Manual Locks: (Please indicate lock location and public access side)

- Manual Sliding Lock Bars
- Centre Key Lock, Access Both Sides

NOTE: Default Lock Location on Bottom Profile

Regular Lock Public
Reverse Lock Public



OPERATORS

Indicate Operator Location

Operator from Reverse Side (shaft access)

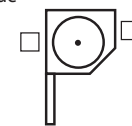
Left (L1)



Right (L2)

Exit Hole Location

For Crank Rod operator or Manual override select exit location



OPERATOR COMPONENT OPTIONS

Manual Gear Operator

Handle: Default - Removable with bell connector Handle attached

Torsion Spring: (unit with this operator must have sliding locks)

Standard Limit Motor Switch

- Style: Maintained Momentary
- Paddle Switch: SPDT DPDT
- Medium Security Key Switch
- Cover Plate: None Single Plastic Double Triple Stainless Quadruple
- High Security Key Switch Surface Recessed
- Keyed: Different Alike Qty: _____

Somfy RTS Transmitters

- Situo 1 Transmitter
- Situo 5 Transmitter
- Telis 16 Transmitter
- Decoflex 1 White
- Decoflex 5 White
- Somfy Keychain Remote

24' Somfy RTS Motor Cable

Somfy® Specialty Transmitters

- Somfy MyLink™ Smooove® 1 Telis 1 Chronis RTS 24/7 Timer
- RTS Repeater Smooove® 4 Somfy® Key Chain Remote
- RTS Digital Keypad Smooove® Faceplate Colour: _____

Upgrade to Manual Override Motor (Select crank rod)

- Attached Removable w/Bell Removable with Universal

NOTES



Contact: channelsales@talius.com
Toll Free: 1.888.550.6205

AG-77 Rollshutter

Order Quote

Dealer: _____

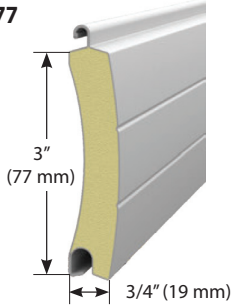
Contact Name: _____

_____ Date: _____ PO#: _____

SHIPPING: Your Carrier: _____ Acct #: _____ Talius Freight Program

CURTAIN TYPE:

AG77



GUIDE RAILS:

GR90



GR105

CUSTOMER NAME:

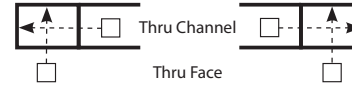
Tag Name: _____ Repeat Customer? Yes No

Qty: _____ Unit Location: _____

Unit # _____ Site Map# (if required) _____

GUIDE RAILS PRE-DRILLING

Pre-drill rails: 8.5 mm
 10 mm
 14 mm

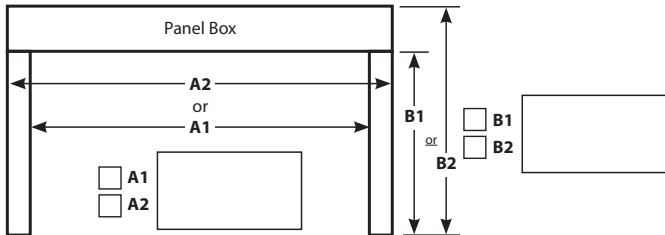


UNIT DIMENSIONS

Does your B1 measurement include:

2" (50 mm) upset to allow bottom profile to clear the top of the opening?

Yes
Not required



SILLS

L-Shaped 22 x 42mm (7/8" x 1-11/16"), Cut at A2 Qty: _____

BUILD-UP

Check off on the diagram at the right where you want to have build-up, and then check off below, the build-up thickness required for each location

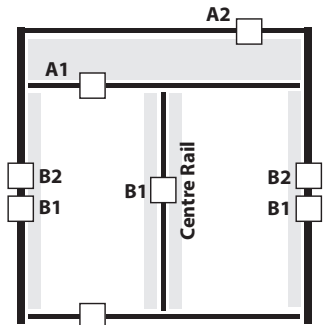
Build up Tubing:

Size: 2" x 1" 2" x 2"

Location: _____

Size: 2" x 3" 2" x 4"

Location: _____



Predrill Tubing:

Location: _____

OPERATORS

Indicate Operator Location

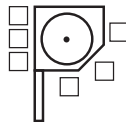
Operator from Reverse Side (shaft access)

Left (L1) Right (L2)



Exit Hole Location

Select Manual override exit location



OPERATOR COMPONENT OPTIONS

Standard Limit Motor Switch

Style: Maintained Momentary
 Paddle Switch: SPDT DPDT
 Medium Security Key Switch

Cover Plate: None Single
 Plastic Double Triple
 Stainless Quadruple

High Security Key Switch

Surface Recessed

Keyed: Different Alike
Number of Keys Required: _____

Somfy RTS Transmitters

Situ 1 Transmitter
 Situ 5 Transmitter
 Telis 16 Transmitter
 Decoflex 1 White
 Decoflex 5 White
 Somfy Keychain Remote

24' Somfy RTS Motor Cable

Upgrade to Manual Override Motor (Select crank rod)

Attached Removable w/Bell Removable with Universal

Somfy® Specialty Transmitters

Somfy MyLink™ Smooove® 1 Telis 1 Chronis RTS 24/7 Timer
 RTS Repeater Smooove® 4 Somfy® Key Chain Remote
 RTS Digital Keypad Smooove® Faceplate Colour: _____

COLOUR SELECTIONS:

Colour	Curtain	Bottom Profile	Guide Rails	Panel Box	Sill	Build-up
White	<input type="checkbox"/>	<input type="checkbox"/>	<input type="checkbox"/>	<input type="checkbox"/>	<input type="checkbox"/>	<input type="checkbox"/>
Black	<input type="checkbox"/>	<input type="checkbox"/>	<input type="checkbox"/>	<input type="checkbox"/>	<input type="checkbox"/>	<input type="checkbox"/>
Brown	<input type="checkbox"/>	<input type="checkbox"/>	<input type="checkbox"/>	<input type="checkbox"/>	<input type="checkbox"/>	<input type="checkbox"/>
Silver	<input type="checkbox"/>	<input type="checkbox"/>	<input type="checkbox"/>	<input type="checkbox"/>	<input type="checkbox"/>	<input type="checkbox"/>
Custom Colour	<input type="checkbox"/>	<input type="checkbox"/>	<input type="checkbox"/>	<input type="checkbox"/>	<input type="checkbox"/>	<input type="checkbox"/>

Custom Colour Name: _____

ANTI-GRAFFITI COATING: Indicate which side on diagram below

	Curtain	Bottom Profile	Guide Rails	Panel Box	Sill	Build-up
Regular <input type="checkbox"/>	<input type="checkbox"/>	<input type="checkbox"/>	<input type="checkbox"/>	<input type="checkbox"/>	<input type="checkbox"/>	<input type="checkbox"/>
Reverse <input type="checkbox"/>	<input type="checkbox"/>	<input type="checkbox"/>	<input type="checkbox"/>	<input type="checkbox"/>	<input type="checkbox"/>	<input type="checkbox"/>

GARAGE PACKAGE: Includes RC200 and Contact Sensing Beams

Tran202 Qty: _____ Tran204 Qty: _____

NOTES

■ General Technical Requirements

Maximum Dimensions

The rollshutter unit must satisfy width, height and area maximum limitations. If the rollshutter unit consists of more than one curtain section, the limitations apply to each curtain section individually. Depending on the operator device selected, the maximum dimensions of the curtain section may be further reduced due to operator lifting capacity limitations.

Please note that the maximum area is not the product of maximum width and maximum height.

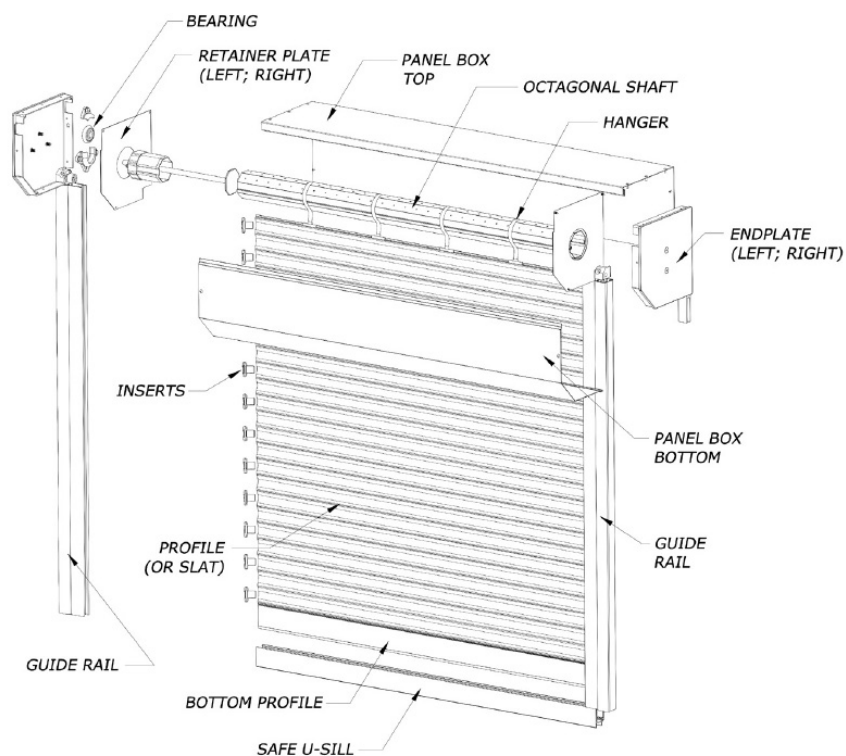
Profile	Maximum Curtain Width (A2)			Maximum Curtain Height (B1)			Maximum Area (A2 x B1)		
	Inches	Feet	Metre	Inches	Feet	Metre	Inches ₂	Feet ₂	Metre ₂
HQ Macro	132	11	3.35	108	9	2.74	11,520	80	7.43
SHIELD Mini	168	14	4.27	120	10	3.05	14,400	100	9.30
SAFE Mini	192	16	4.88	156	13	3.96	20,160	140	13.01
AG-77 (with Panel Box)	256	21.3	6.5	196	16.4	5	31,000 ₂	215.28 ₂	20.0 ₂
(without Panel Box)	275	22.97	7						
SAFE View	Please refer to SAFE View section for maximum sizes based on profile selection.								

Exceptions

The preceding limits are only valid in the most favourable conditions. The limitations are automatically reduced if the rollshutter is:

- Exposed to high winds
- Free standing, such as rolling doors or patio/under deck enclosures
- Used for security applications

If any of the above exceptions apply to your application, contact Talius for more specific technical advice and information.

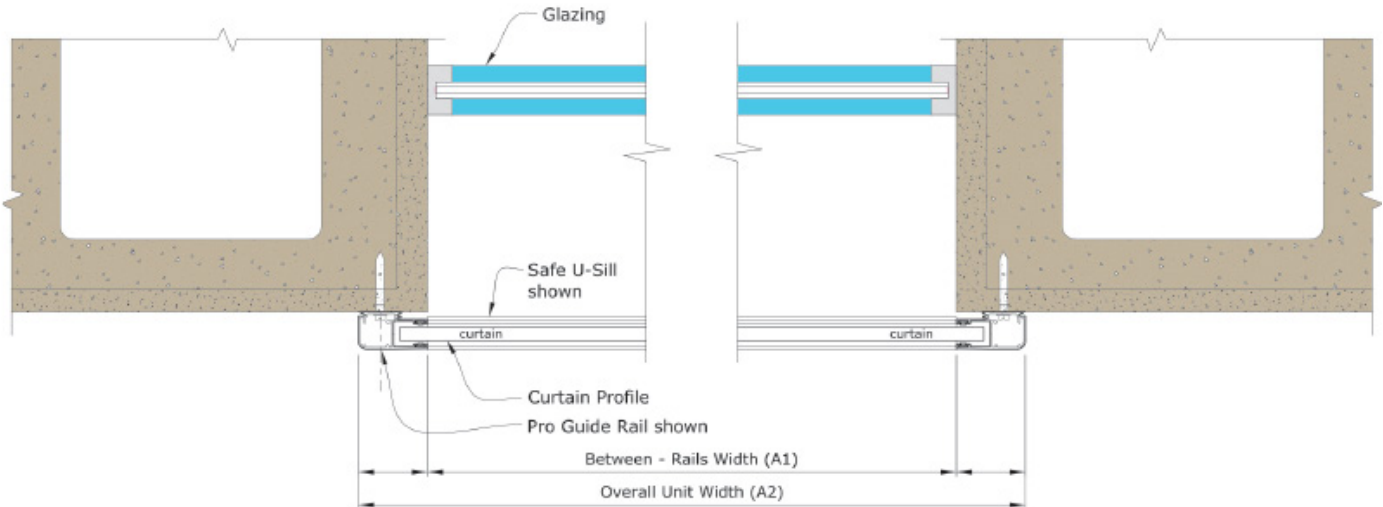


General Technical Requirements *(continued)*

Mounting Options: Width Dimensions ("A")

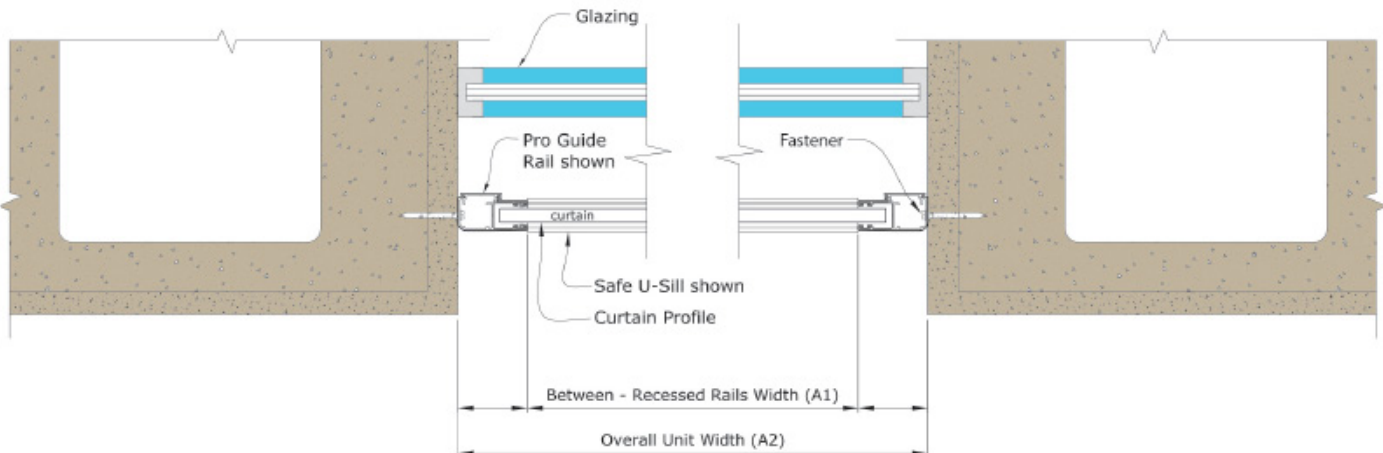
Face-of-Wall Installation

Use the generic face-of-wall mount diagram below to assist in determining your width dimensions. Regardless of which type of guide rails you select, provide the critical width dimension for each application; either the (A1) dimension if the guide rail must not encroach on the opening, or the (A2) dimension if the overall width of the rollshutter unit must fit between an obstruction.



Between Jamb Installation

Use the generic jamb mount diagram below to assist in determining your width dimensions. When mounting a rollshutter unit between window jambs or between posts (jamb mount), the critical dimension required is the overall rollshutter unit width (A2), which is typically equal to, or slightly less than, the opening width of the structure. You can mount most guide rails through the curtain channel and into the mounting structure as shown below, however for greater stability and generally easier installation, you could order the optional "L" Build-up for mounting the guide rails to the installation.

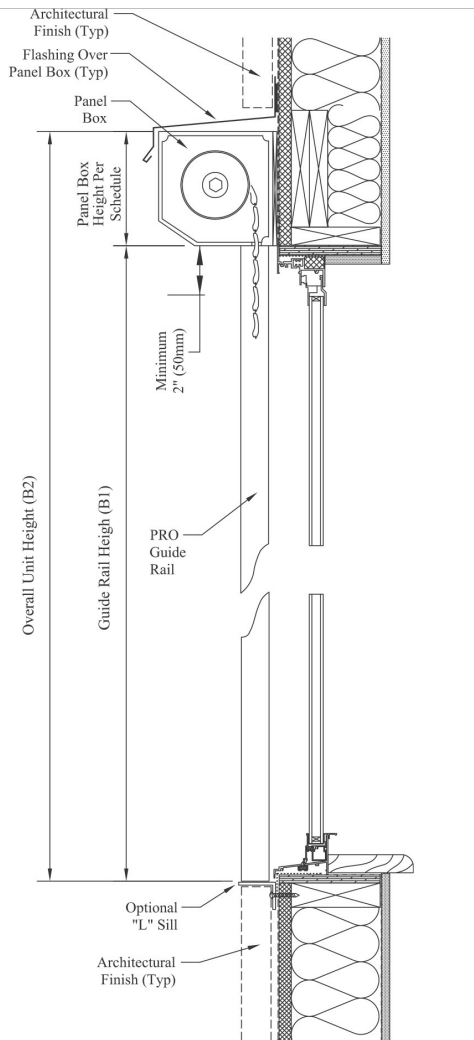


General Technical Requirements (continued)

Mounting Options: Height Dimensions (“B”)

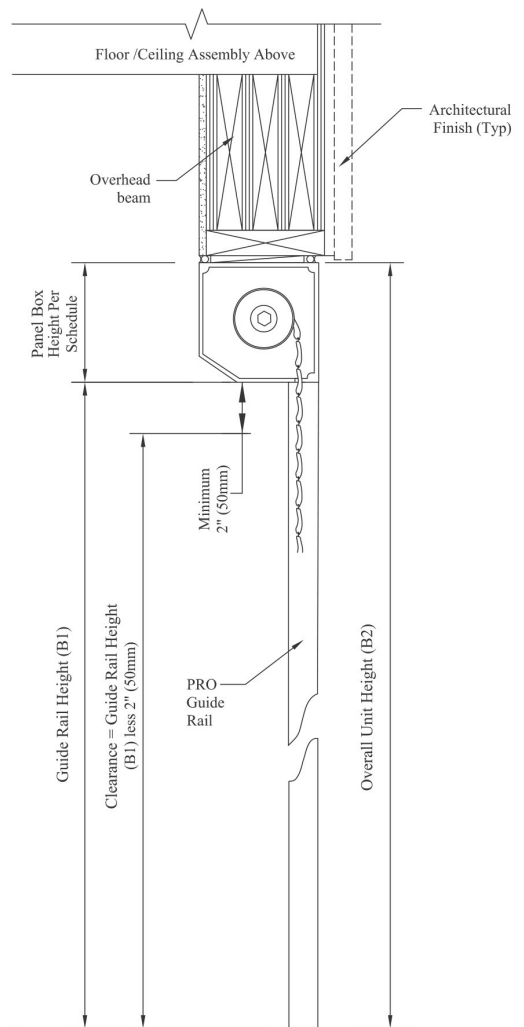
Face-of-Wall Installation

For rollshutters mounted face-of-wall over a window or similar opening, ensure that the guide rail height (B1) extends slightly below the opening, and a minimum of 2” (50 mm) above the opening, or the opening window sash. An optional “L” sill may be added below the guide rails, or an optional “U” sill may be added between the guide rails. If you are adding the “U” sill below the guide rails, add 1 7/8” to the B dimension to allow the rollshutter to rest below the clear opening. Refer to the chart on the next page to determine the required minimum clearance above the top of the guide rails for the appropriate panel box.



Below-Header Installation

When mounting tight below a header, or other obstruction, the critical height dimension is the overall unit height (B2). With this mounting method, the clear opening height clearance which remains is equal to the overall unit height (B2) less the height of the appropriate panel box plus 2” (50 mm) for the curtain’s bottom profile. Refer to the chart on the next page to determine the appropriate panel box size. In the generic diagram shown below, the vertical mounting structure posts have been omitted for clarity.



General Technical Requirements (continued)

Clearance for Panel Boxes

Talius rollshutters roll up into a two part, 5 corner housing called a “panel box”. Depending on the size of the rollshutter, these boxes range from 5” (125 mm) to 14 3/16” (360 mm).

Ensure sufficient room above the guide rails for the rollshutter panel box using the sizes provided on the table provided in the applicable curtain profile section.



A

- Panel box sizes may vary depending on the required shaft size.
- Hanger locks will affect the size of panel box required for a rollshutter unit.
- These heights are B1’s (guide rail height). Please ensure you have taken into account the 2” upset for bottom profile clearance and/or the 1 7/8” downset for u-sill if required

Panel box sizes:

125	150	165	180	205	230	250	300	360
5”	5 7/8”	6 1/2”	7”	8”	9”	10”	12”	14 3/16”

If you have panel box room limitations at site, please contact us with your project details for an accurate size.

Winterization Package

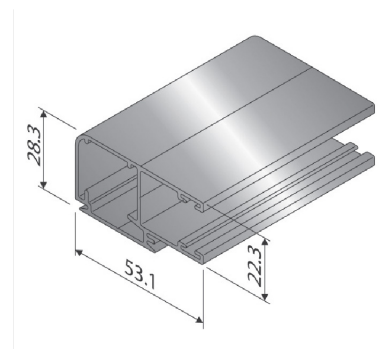
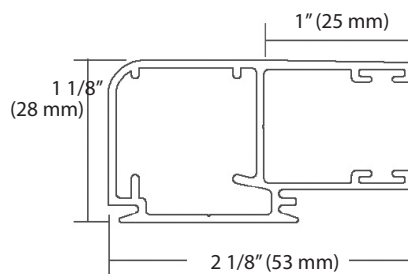
With colder temperatures the profiles in the curtain can swell slightly but enough to change diameter of the curtain rolled up in the box, therefore changing the upper limit.

To counter this we put reinforcement on the panel box and surface stoppers on the bottom profile. This will stop the curtain from coming up to far into box and potential coming out of the rails. Reinforcement is to keep from the stoppers from damaging the panel box bottom. We use 6/32x3/8” screws in the ‘T’ slot of bottom profile instead of a rubber seal creating less area in contact with the surface when closed. Spacing for screws; 20 mm (3/4”) in from the edges and approximately 300 mm (12”) between screws, depending on length.

Guide Rails

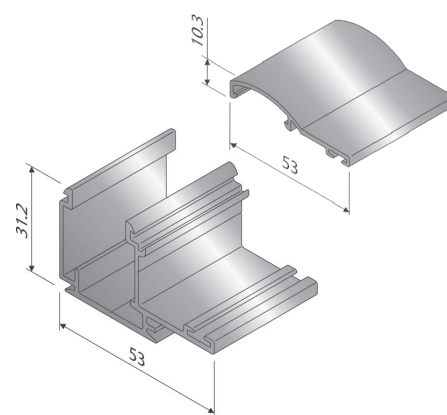
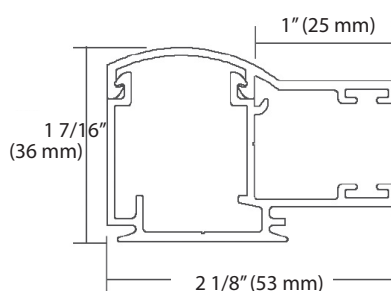
Pro

Includes 1/4" (6.5mm) build-up. For curtain widths under 6' (1.83m) on general exterior applications, and for widths under 10' (3.05) on general interior applications. For applications requiring increased security or wind protection select the PRO-40 or SAFE-40 guide rails.



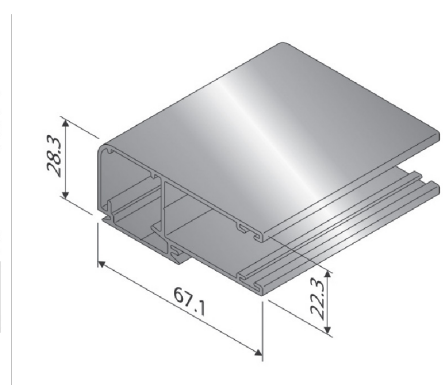
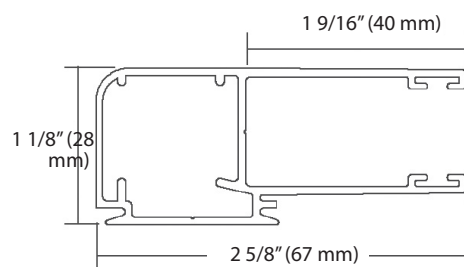
Safe

Includes 1/4" (6.5mm) build-up. For curtain widths under 6' (1.83m) on general exterior applications, and for widths under 10' (3.05) on general interior applications. For applications requiring increased security or wind protection select the PRO-40 or SAFE-40 guide rails.



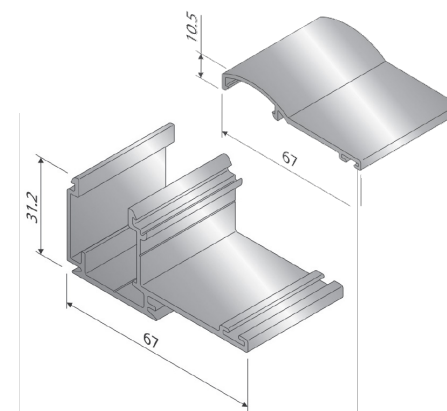
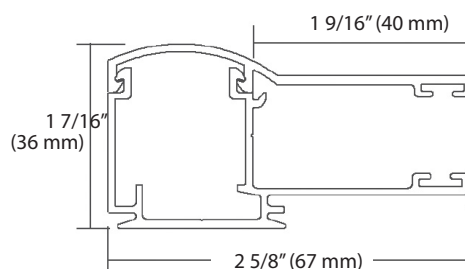
Pro-40

Includes 1/4" (6.5mm) build-up. For increased wind load protection. Should generally be chosen when curtain widths exceed 6' (1.83m) on exterior applications, and for widths over 10' (3.05m) on interior applications.



Safe-40

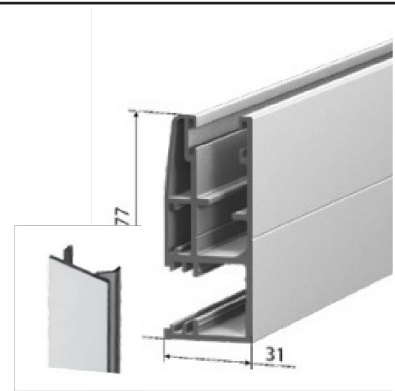
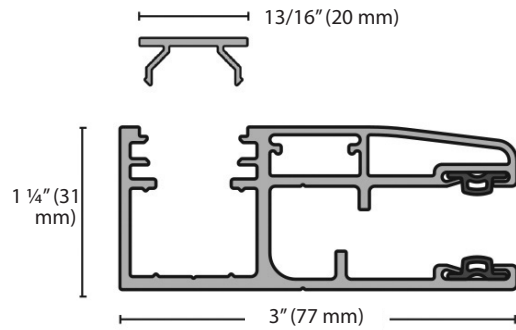
Includes 1/4" (6.5mm) build-up. For increased security and wind load protection. Should generally be chosen when curtain widths that exceed 6' (1.83m) on exterior applications, and for widths over 10' (3.05m) on interior applications.



Guide Rails (continued)

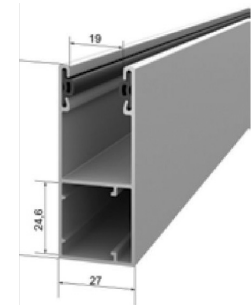
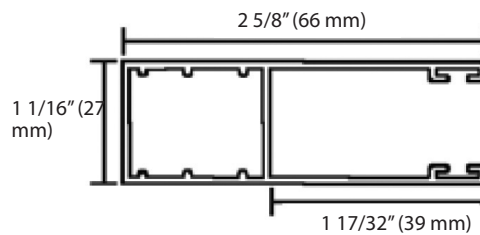
SafeGuard

For use with the Safe Mini™ profile.
 For maximum security or high wind load applications.



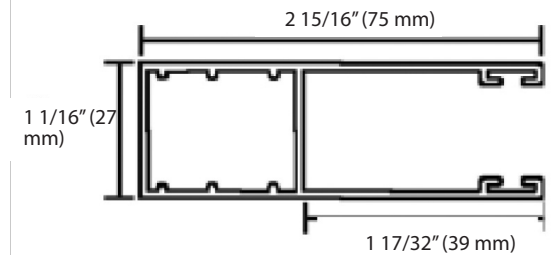
GRM-66

For use with SAFE View rollshutters.
 The unit size and roll-up diameter will determine the panel box size which will also determine which rail size is required.
 Talius will determine this for you.



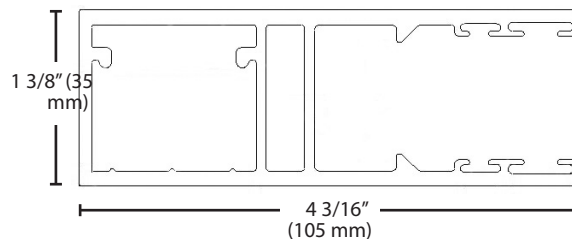
GR-75

For use with SAFE View rollshutters.

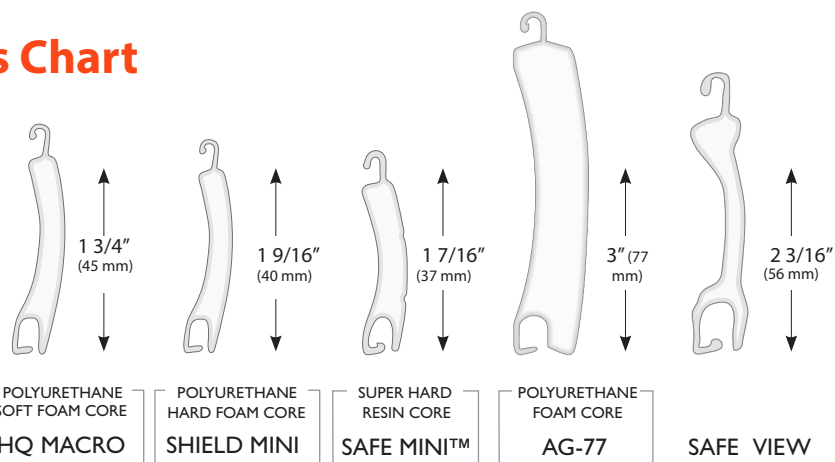


GR-105

For use with AG-77 rollshutters.
 Designed to provide superior strength for wide openings.



Solutions and Applications Chart



Rollshutter Profile

SOLUTIONS

Privacy	•	•	•	•	
Solar heat gain protection	•	•	•	•	
Insulation from the cold	•	•	•	•	
Noise reduction	•	•	•	•	
Rain protection	•	•	•	•	
Break-in protection			•	•	•
Vandalism protection		•	•	•	•
Hurricane, tornado, cyclone protection			•	•	
Visibility					•

APPLICATIONS

Windows and doors	•	•	•	•	•
Cabanas		•	•	•	
Counter and cabinet enclosures	•	•	•	•	•
Rolling / garage doors				•	
Storefront			•	•	•

COLOURS

White	•	•	•	•	
Silver	•	•	•	•	•
Beige	•	•	•		
Brown	•	•	•	•	
Black	•	•	•	•	

SIZES

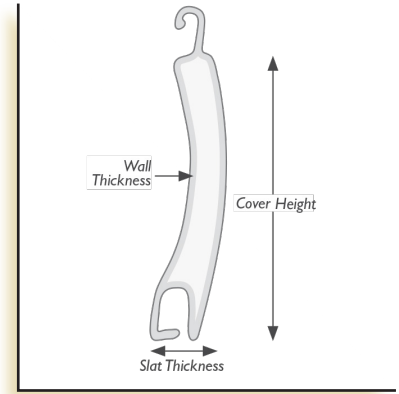
Maximum width (A2 dimension)	11 ft (3.35 m)	14 ft (4.27 m)	16 ft (4.88 m)	With Panel Box 21.3 ft (6.5 m) Without Panel Box 22.97 ft (7 m)	Please refer to SAFE View section.
Maximum height (B1 dimension)	9 ft (2.74 m)	10 ft (3.05 m)	13 ft (3.96 m)	16.4 ft (5 m)	
Maximum area (A2 x B1)	80 ft ² (7.43 m ²)	100 ft ² (9.30 m ²)	140 ft ² (13 m ²)	215.28 ft ² (20 m ²)	

HQ Macro

A light duty, roll-formed aluminum profile with an insulated core and tough enamel finish.

Typical Applications and Solutions:

- Residential applications for shading, privacy, cold and heat protection, and noise reduction
- Commercial applications for closing off counter pass-through areas with relatively narrow openings for privacy and/or visual appearance, and where security is not a major objective



Specifications:

Cover Height	Slat Thickness	Wall Thickness	Number of Slats per Height	Weight per Area	Finish	Core Material
1 3/4"	3/8"	0.0142"	0.605/inch	0.00567 lbs/inch ²	Enamel 0.0020"	Polyurethane Foam
45 mm	9 mm	0.36 mm	23.8/m	4.0 kg/m ²	Enamel 0.05 mm	

Size Limitations:

Maximum Width (A2)			Maximum Height (B1)			Maximum Area (A2xB1)		
Metre	Feet	Inches	Metre	Feet	Inches	Metre ²	Feet ²	Inch ²
3.35	11	132	2.74	9	108	7.44 ₂	80 ₂	11,520 ₂



You must comply with all three maximums. Do not exceed any one of them. Maximums are automatically reduced if the rollshutter is exposed to high winds, must satisfy stringent security requirements or is freestanding, such as in the case of a patio enclosure.

Panel Box Limitations

Heights shown are guide rail heights (B1). Ensure sufficient room above the guide rails for the rollshutter panel box. In addition, the curtain's bottom profile protrudes approximately 2" (50mm) below the bottom of the panel box when the curtain is fully rolled up. Therefore, measure the rollshutter purposely high enough to clear any opening window or door parts, or tops of counter enclosures.

This chart is intended to be a reference guide only. If you have headroom limitations on site, please contact our Channel Sales team with your site details for an accurate sizing.

HQ MACRO	40 Shaft		60 Shaft		70 Shaft		40 Shaft		60 Shaft	
Panel Box	BI UNIT MEASUREMENT						BI UNIT MEASUREMENT WHEN USING HANGER LOCKS			
	Inch	Metre	Inch	Metre	Inch	Metre	Inch	Metre	Inch	Metre
125	27	.70	30	.77	24	.61	27	.70	18	.46
150	52	1.33	47	1.19	47	1.19	52	1.33	44	1.13
165	67	1.70	62	1.59	62	1.59	66	1.70	61	1.55
180	85	2.16	80	2.03	80	2.03	85	2.16	79	2.01
205	114	2.90	117	2.98	117	2.98	109	2.77	101	2.57
230	167	4.25	164	4.17	162	4.13	151	3.86	144	3.68
250	194	4.95	190	4.83	190	4.83	194	4.95	172	4.37
300	307	7.80	305	7.75	282	7.16	266	6.76	257	6.53

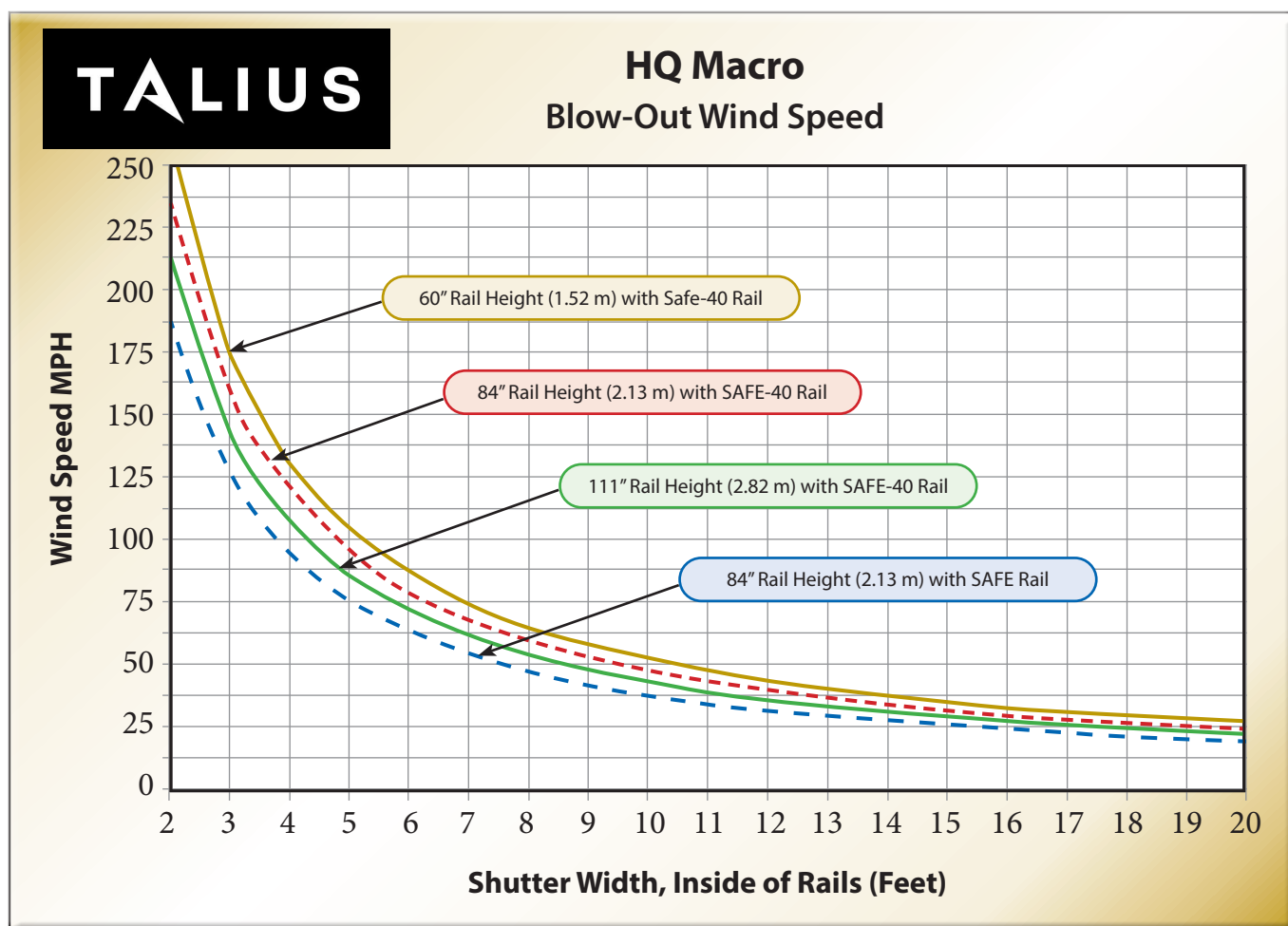
HQ Macro (continued)

Wind Load Information

The graph below shows blow-out wind speed for unprotected, free standing rollshutter curtains. Where rollshutters cover windows and doors you may expect considerably better performance due to the protection offered by the overall wall surface.

Testing was done at the curtain heights stated in the graph. Performance of the actual rollshutter will improve slightly if the application is lower in height than the tested unit. Conversely, performance will decrease slightly if your actual rollshutter is taller than the tested unit.

Before ordering/installing your unit, refer to our recommended fastener schedule at the front of this price book. Ensure that your installation meets the recommended requirements for fastener embedment into a solid backing material. Talius also recommends spacing fasteners every 6" for units susceptible to high winds.



HQ Macro (continued)

Standard Features

- HQ Macro Rollshutter Curtain
- Extruded aluminum bottom profile
- Precision roll-formed aluminum panel box assembly
- Two extruded aluminum guide rails (your choice of PRO or SAFE) fitted with weather stripping

NOTE: For all rollshutters wider than 8' and for rollshutters used in windy conditions or for high security, we recommend an upgrade to PRO-40, or SAFE-40 guide rails: \$45 per rollshutter unit

Standard Factory Colours:

White, Beige, Brown, Black and Silver. Custom colours are available as a chargeable option.

A Prices within the AA range section indicate that tape operators can be used to operate these shutters.

Manual Operators	Price
Tape Operators AA Section Only	\$ 103
2:1, 3:1, 4:1, or 11:1 gear with attached crank rod or removable crank rod with bell. ABS or Limit gear. AA and A sections	\$ 313
Credit for unused crank rod (when crank rod not required)	- \$ 76
Torsion Spring (minimum rollshutter width: A2=27" (0.69 m) for use with cabinet or small counter enclosures	\$ 368

• Manual operators only available for curtains within the "A" range on the price chart.

Minimum Overall Width (A2) required for Manual Override Motor	Inch	cm
Standard Limit Motor	26.5	67
Somfy RTS Motor	34	86

Motor Type	Standard Limit Motors				Radio Motors			
	Somfy		Talius		Somfy RTS		Talius RF	
	Regular	Manual Override	Regular	Manual Override	Regular	Manual Override	Regular	Manual Override
A	771	1,280	771	1,280	1,170	1,572	1,170	1,572
B	844	1,315	771	1,280	1,246	1,647	1,170	1,572
C	879	1,532	771	1,280	1,279	1,679	1,170	1,572
D	914	1,532	914	1,532	1,314	1,722	1,314	1,722
E	1,022	1,722	914	1,532	1,531	2,040	1,314	1,722
F	1,280	1,830	914	1,532	1,755	N/A	1,314	1,722

• Standard Limit Motors include 120VAC/60Hz tubular motor with hard wired motor cable and paddle switch (SPDT).

• Somfy RTS Motors include 120VAC/60Hz tubular motor with hard wired motor cable with bare ends, and one standard single channel hand held transmitter.

Minimum Overall Width (A2) required	Inch	cm
Manual Operators	20	51
Standard Limit Motor	22	52
Somfy RTS Motor	24	58

Feet		Horizontal Scale: Width Including Guide Rails (A2)															
		Inch		2'		3'		4'		5'		6'					
Metre		20	24	28	32	36	40	44	48	52	56	60	64	68	72		
Vertical Scale: Height excluding Panel Box (B1)	2'	20	0.51	336	352	371	390	407	425	443	461	480	499	516	535	554	572
		24	0.61	363	384	405	425	446	467	489	511	532	553	576	597	619	640
		28	0.71	390	413	437	461	487	510	534	559	583	608	633	657	684	708
		32	0.81	416	443	470	498	525	553	580	607	636	664	691	719	746	776
		36	0.91	443	472	503	533	564	596	625	655	687	718	748	780	811	844
		40	1.02	470	503	536	570	603	637	670	706	739	773	808	841	876	910
		44	1.12	498	533	569	605	643	678	717	754	790	828	865	902	940	977
		48	1.22	524	563	602	642	682	721	762	801	842	883	922	964	1006	1045
		52	1.32	550	593	636	677	721	764	808	851	895	938	981	1025	1070	1113
		56	1.42	578	623	669	714	761	807	852	899	946	992	1039	1087	1133	1181
		60	1.52	604	653	701	750	799	849	898	948	996	1047	1096	1148	1198	1249
		64	1.63	632	684	735	787	838	890	943	996	1048	1102	1154	1208	1262	1317
		68	1.73	657	712	767	823	878	933	989	1044	1100	1158	1214	1270	1326	1383
	72	1.83	686	743	800	858	918	975	1034	1093	1152	1212	1271	1331	1391	1451	
	76	1.93	712	773	833	896	955	1018	1080	1141	1204	1267	1329	1392	1455	1520	
	80	2.03	740	802	867	931	995	1060	1126	1191	1256	1322	1388	1454	1520	1587	
	84	2.13	765	832	900	967	1036	1103	1171	1239	1308	1377	1446	1515	1586	1655	
	88	2.24	792	863	932	1003	1075	1146	1217	1287	1359	1432	1503	1576	1648	1723	
	92	2.34	819	894	966	1040	1113	1186	1261	1337	1411	1485	1561	1637	1713	1789	
	96	2.44	847	922	999	1076	1152	1229	1307	1384	1462	1540	1620	1699	1778	1856	
	100	2.54	873	952	1032	1111	1192	1272	1353	1433	1515	1595	1678	1759	1842	1924	
	104	2.64	900	984	1064	1148	1230	1314	1399	1482	1567	1649	1735	1821	1907	1993	
	108	2.74	843	920	998	1075	1154	1233	1311	1391	1471	1551	1631	1710	1791	1872	
	112	2.84															
	116	2.95															
	120	3.05															
	124	3.15															
	128	3.25															
	132	3.35															
	136	3.45															
	140	3.56															
	144	3.66															
	148	3.76															
	152	3.86															
	156	3.96															

HQ Macro (continued)

Standard Features

- HQ Macro Rollshutter Curtain
- Extruded aluminum bottom profile
- Precision roll-formed aluminum panel box assembly
- Two extruded aluminum guide rails (your choice of PRO or SAFE) fitted with weather stripping

NOTE: For all rollshutters wider than 8' and for rollshutters used in windy conditions or for high security, we recommend an upgrade to PRO-40, or SAFE-40 guide rails: \$45 per rollshutter unit

Standard Factory Colours:

White, Beige, Brown, Black and Silver. Custom colours are available as a chargeable option.

Manual Operators	Price
Tape Operators AA Section Only	\$ 103
2:1, 3:1, 4:1, or 11:1 gear with attached crank rod or removable crank rod with bell. ABS or Limit gear. AA and A sections	\$ 313
Credit for unused crank rod (when crank rod not required)	-\$ 76
Torsion Spring (minimum rollshutter width: A2=27" (0.69 m) for use with cabinet or small counter enclosures	\$ 368

• Manual operators only available for curtains within the "A" range on the price chart.

Motor Type	Standard Limit Motors				Radio Motors			
	Somfy		Talius		Somfy RTS		Talius RF	
	Regular	Manual Override	Regular	Manual Override	Regular	Manual Override	Regular	Manual Override
A	771	1,280	771	1,280	1,170	1,572	1,170	1,572
B	844	1,315	771	1,280	1,246	1,647	1,170	1,572
C	879	1,532	771	1,280	1,279	1,679	1,170	1,572
D	914	1,532	914	1,532	1,314	1,722	1,314	1,722
E	1,022	1,722	914	1,532	1,531	2,040	1,314	1,722
F	1,280	1,830	914	1,532	1,795	N/A	1,314	1,722

• Standard Limit Motors include 120VAC/60Hz tubular motor with hard wired motor cable and paddle switch (SPDT).
 • Somfy RTS Motors include 120VAC/60Hz tubular motor with hard wired motor cable with bare ends, and one standard single channel hand held transmitter.

Minimum Overall Width (A2) required for Manual Override Motor	Inch	cm
Standard Limit Motor	26.5	67
Somfy RTS Motor	34	86

Minimum Overall Width (A2) required	Inch	cm
Manual Operators	20	51
Standard Limit Motor	22	52
Somfy RTS Motor	24	58

A Prices within the AA range section indicate that tape operators can be used to operate these shutters.

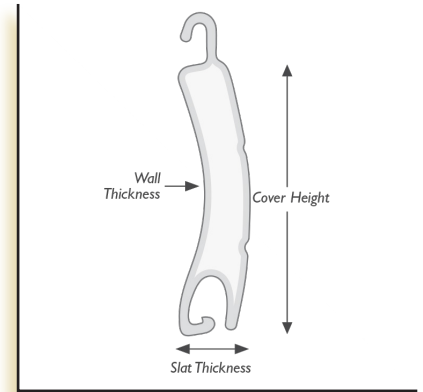
Feet		Horizontal Scale: Width Including Guide Rails (A2)																
		Inch	76	80	84	88	92	96	100	104	108	112	116	120	124	128	132	
Metre		1.93	2.03	2.13	2.24	2.34	2.44	2.54	2.64	2.74	2.84	2.95	3.05	3.15	3.25	3.35		
Vertical Scale: Height excluding Panel Box (B1)	20	0.51	591	610	629	647	667	686	703	723	742	762	781	800	819	840	858	
	2'	24	0.61	662	685	707	729	750	773	795	817	840	862	884	907	930	953	975
		28	0.71	732	758	783	809	833	860	885	911	937	962	988	1014	1041	1066	1093
		32	0.81	805	832	861	888	918	948	975	1004	1034	1063	1092	1121	1151	1181	1210
		36	0.91	874	906	938	970	1001	1034	1065	1098	1130	1163	1196	1229	1261	1294	1327
	3'	40	1.02	944	981	1015	1049	1085	1119	1155	1192	1228	1264	1300	1336	1372	1408	1445
		44	1.12	1017	1055	1092	1131	1170	1207	1247	1286	1324	1363	1403	1443	1482	1522	1561
		48	1.22	1087	1128	1170	1212	1253	1294	1337	1380	1423	1463	1506	1549	1592	1636	1679
		52	1.32	1158	1202	1248	1292	1337	1382	1428	1472	1518	1566	1611	1657	1703	1749	1797
	4'	56	1.42	1229	1275	1324	1372	1419	1469	1518	1567	1615	1665	1714	1764	1814	1863	1913
		60	1.52	1300	1349	1402	1452	1504	1556	1609	1660	1712	1765	1819	1870	1923	1977	2031
		64	1.63	1370	1425	1479	1533	1589	1643	1699	1754	1809	1866	1921	1978	2034	2089	2148
		68	1.73	1441	1499	1556	1614	1672	1731	1788	1848	1907	1965	2026	2085	2144	2204	2264
5'	72	1.83	1512	1572	1633	1694	1756	1818	1878	1942	2004	2065	2129	2192	2255	2317	2382	
	76	1.93	1583	1646	1711	1776	1840	1905	1971	2034	2100	2167	2232	2299	2365	2433	2500	
	80	2.03	1655	1720	1787	1855	1923	1991	2061	2129	2197	2266	2336	2405	2475	2546	2616	
	84	2.13	1725	1796	1866	1936	2008	2079	2151	2222	2294	2367	2440	2513	2585	2660	2733	
6'	88	2.24	1796	1869	1943	2017	2092	2166	2241	2316	2392	2468	2544	2620	2698	2774	2849	
	92	2.34	1867	1943	2019	2098	2175	2254	2331	2411	2489	2567	2648	2726	2808	2888	2967	
	96	2.44	1938	2017	2098	2177	2259	2340	2422	2503	2585	2669	2752	2835	2917	3001	3086	
	100	2.54	2008	2092	2174	2259	2342	2427	2512	2596	2682	2769	2856	2941	3029	3115	3203	
7'	104	2.64	2078	2166	2253	2338	2426	2514	2603	2690	2779	2868	2958	3049	3139	3229	3319	
	108	2.74	1954	2035	2117	2200	2282	2365	2449	2532	2615	2699	2783	2869	2953	3038	3124	
	112	2.84																
	116	2.95																
8'	120	3.05																
	124	3.15																
	128	3.25																
	132	3.35																
9'	136	3.45																
	140	3.56																
	144	3.66																
	148	3.76																
10'	152	3.86																
	156	3.96																

SHIELD Mini

A medium duty, roll-formed aluminum profile with a hard foam core, improved dent resistance, and very durable polyurethane/polymide top coat.

Typical Applications and Solutions

- Wide variety of residential applications for shading, privacy, cold and heat protection, noise reduction, and vandalism protection.
- Wide variety of commercial applications including over windows and doors, and for closing off counter pass-through areas, cabinets and storage areas for privacy and/or visual appearance, and for vandalism protection.
- Choose SHIELD Mini when the curtain covers a rather wide, yet relatively low opening and when moderate security is desired.



Specifications:

Cover Height	Slat Thickness	Wall Thickness	Number of Slats per Height	Weight per Area	Finish	Core Material
1 9/16"	3/8"	0.0130"	0.64/inch	0.0071 lbs/inch ²	Enamel 0.0012"	Polyurethane Foam
40 mm	9 mm	0.33 mm	25/m	5.0 kg/m ²	Enamel 0.03 mm	

Size Limitations:

Maximum Width (A2)			Maximum Height (B1)			Maximum Area (A2 x B1)		
Metre	Feet	Inches	Metre	Feet	Inches	Metre ²	Feet ²	Inch ²
4.27	14	168	3.05	10	120	9.30 ₂	100 ₂	14,400 ₂



You must comply with all three maximums. Do not exceed any one of them. Maximums are automatically reduced if the rollshutter is exposed to high winds, must satisfy stringent security requirements or is freestanding, such as in the case of a patio enclosure.

Panel Box Limitations

Heights shown are guide rail heights (B1). Ensure sufficient room above the guide rails for the rollshutter panel box. In addition, the curtain's bottom profile protrudes approximately 2" (50mm) below the bottom of the panel box when the curtain is fully rolled up. Therefore, measure the rollshutter purposely high enough to clear any opening window or door parts, or tops of counter enclosures.

SHIELD MINI	40 Shaft			60 Shaft			70 Shaft			40 Shaft			60 Shaft			70 Shaft		
	BI UNIT MEASUREMENT						BI UNIT MEASUREMENT WHEN USING HANGER LOCKS											
	Inch	Metre	Inch	Metre	Inch	Metre	Inch	Metre	Inch	Metre	Inch	Metre	Inch	Metre	Inch	Metre		
125	25	.64	25	.64			25	.64	18	.46								
150	53	1.35	42	1.07	38	.97	53	1.35	40	1.02								
165	64	1.65	57	1.47	48	1.22	64	1.65	48	1.22	40	1.04						
180	85	2.16	75	1.93	66	1.68	83	2.11	66	1.68	59	1.52						
205	105	2.67	96	2.46	94	2.39	105	2.67	94	2.39	87	2.23						
230	133	3.38	120	3.05	120	3.05	133	3.38	120	3.05	122	3.12						
250	179	4.57	164	4.19	164	4.19	179	4.57	164	4.19	151	3.86						
300	244	6.22	244	6.22	240	6.10	244	6.22	240	6.10	235	5.97						

This chart is intended to be a reference guide only. If you have headroom limitations on site, please contact our Channel Sales team with your site details for an accurate sizing.

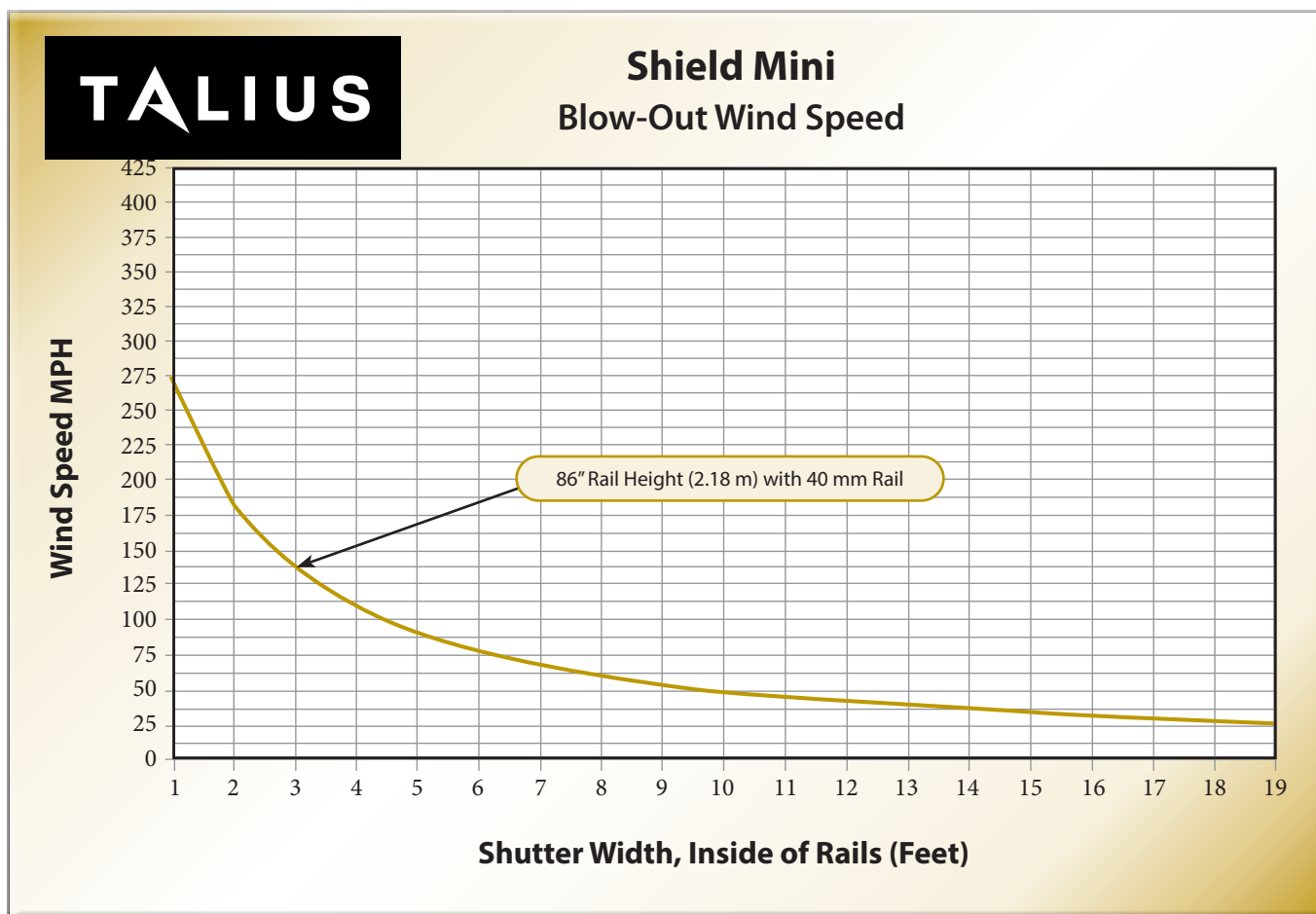
SHIELD Mini (continued)

Wind Load Information

The graph below shows blow-out wind speed for unprotected, free standing rollshutter curtains. Where rollshutters cover windows and doors you may expect considerably better performance due to the protection offered by the overall wall surface.

Testing was done at the curtain heights stated in the graph. Performance of the actual rollshutter will improve slightly if the application is lower in height than the tested unit. Conversely, performance will decrease slightly if your actual rollshutter is taller than the tested unit.

Before ordering/installing your unit, refer to our recommended fastener schedule at the front of this price book. Ensure that your installation meets the recommended requirements for fastener embedment into a solid backing material. Talius also recommends spacing fasteners every 6" for units susceptible to high winds.



SHIELD Mini (continued)

Standard Features

- SHIELD Mini Rollshutter Curtain
- Extruded aluminum bottom profile
- Precision roll-formed aluminum panel box assembly
- Two extruded aluminum guide rails (your choice of PRO, SAFE, Pro-40, or Safe-40) fitted with weather stripping

NOTE: For all rollshutters wider than 8' and for rollshutters used in windy conditions or for high security, we recommend an upgrade to PRO-40, or SAFE-40 guide rails: \$45 per rollshutter unit

Standard Factory Colours:

White, Beige, Brown, Black and Silver. Custom colours are available as a chargeable option.

A Prices within the AA range section indicate that tape operators can be used to operate these shutters.

Manual Operators	Price
Tape Operators AA Section Only	\$ 103
2:1, 3:1, 4:1, or 11:1 gear with attached crank rod or removable crank rod with bell. ABS or Limit gear. AA and A sections	\$ 313
Credit for unused crank rod (when crank rod not required)	- \$ 76
Torsion Spring (minimum rollshutter width: A2=27" (0.69 m) for use with cabinet or small counter enclosures	\$ 368

• Manual operators only available for curtains within the "A" range on the price chart.

Minimum Overall Width (A2) required for Manual Override Motor	Inch	cm
Standard Limit Motor	26.5	67
Somfy RTS Motor	34	86

Motor Type	Standard Limit Motors				Radio Motors			
	Somfy		Talius		Somfy RTS		Talius RF	
	Regular	Manual Override	Regular	Manual Override	Regular	Manual Override	Regular	Manual Override
A	771	1,280	771	1,280	1,170	1,572	1,170	1,572
B	844	1,315	771	1,280	1,246	1,647	1,170	1,572
C	879	1,532	771	1,280	1,279	1,679	1,170	1,572
D	914	1,532	914	1,532	1,314	1,722	1,314	1,722
E	1,022	1,722	914	1,532	1,531	2,040	1,314	1,722
F	1,280	1,830	914	1,532	1,755	N/A	1,314	1,722

• Standard Limit Motors include 120VAC/60Hz tubular motor with hard wired motor cable and paddle switch (SPDT).
 • Somfy RTS Motors include 120VAC/60Hz tubular motor with hard wired motor cable with bare ends, and one standard single channel hand held transmitter.

Minimum Overall Width (A2) required	Inch	cm
Manual Operators	20	51
Standard Limit Motor	22	52
Somfy RTS Motor	24	58

Feet		Horizontal Scale: Width Including Guide Rails (A2)															
		Inch		2'		3'		4'		5'		6'					
Metre		20	24	28	32	36	40	44	48	52	56	60	64	68	72		
Vertical Scale: Height excluding Panel Box (B1)	2'	20	0.51	372	392	412	432	454	472	492	513	533	554	574	596	615	636
		24	0.61	402	425	448	472	495	519	544	567	591	615	638	664	687	711
		28	0.71	434	459	487	512	539	567	594	621	648	675	703	731	758	787
		32	0.81	462	492	523	553	582	614	644	675	707	737	767	799	830	862
		36	0.91	492	526	559	593	626	660	695	729	763	798	832	867	901	937
		40	1.02	523	559	597	633	670	708	745	783	821	858	897	934	973	1011
		44	1.12	552	593	633	673	713	755	795	836	878	920	961	1003	1044	1087
		48	1.22	581	625	669	713	757	801	846	890	937	981	1025	1071	1116	1162
		52	1.32	613	659	707	754	801	849	897	944	993	1041	1091	1138	1187	1237
		56	1.42	642	692	743	794	845	896	948	999	1052	1103	1154	1206	1260	1312
		60	1.52	671	725	779	833	887	942	997	1053	1108	1163	1219	1274	1331	1388
		64	1.63	701	759	816	874	931	989	1048	1107	1165	1224	1284	1342	1402	1462
		68	1.73	731	791	853	915	975	1038	1099	1161	1223	1286	1347	1411	1473	1538
		72	1.83	762	825	888	954	1019	1084	1149	1215	1281	1346	1413	1479	1546	1612
		76	1.93	791	858	926	994	1062	1131	1199	1269	1338	1407	1478	1547	1617	1688
		80	2.03	821	891	964	1036	1107	1179	1250	1323	1395	1469	1542	1614	1689	1763
	84	2.13	851	924	1000	1075	1150	1225	1301	1377	1452	1529	1606	1682	1760	1839	
	88	2.24	880	957	1037	1114	1194	1272	1352	1430	1511	1590	1670	1751	1832	1913	
	92	2.34	911	992	1073	1154	1237	1319	1402	1484	1568	1653	1734	1819	1903	1988	
	96	2.44	941	1025	1110	1195	1281	1366	1451	1538	1625	1712	1800	1888	1976	2063	
	100	2.54	971	1059	1147	1235	1324	1413	1502	1592	1682	1773	1865	1956	2048	2139	
	104	2.64	1000	1092	1183	1274	1367	1460	1553	1646	1738	1834	1928	2024	2119	2214	
	108	2.74	1030	1126	1220	1315	1411	1506	1603	1700	1798	1895	1993	2092	2189	2290	
	112	2.84	1061	1159	1256	1356	1455	1554	1655	1754	1854	1956	2056	2159	2261	2363	
	116	2.95	1091	1192	1293	1395	1499	1601	1705	1808	1912	2017	2121	2227	2332	2439	
	120	3.05	1119	1225	1330	1435	1542	1647	1755	1862	1969	2078	2187	2295	2404	2514	
	124	3.15															
	128	3.25															
	132	3.35															
	136	3.45															
	140	3.56															
	144	3.66															
	148	3.76															
	152	3.86															
	156	3.96															

SHIELD Mini (continued)

Standard Features

- SHIELD Mini Rollshutter Curtain
- Extruded aluminum bottom profile
- Precision roll-formed aluminum panel box assembly
- Two extruded aluminum guide rails (your choice of PRO, SAFE, Pro-40, or Safe-40) fitted with weather stripping

NOTE: For all rollshutters wider than 8' and for rollshutters used in windy conditions or for high security, we recommend an upgrade to PRO-40, or SAFE-40 guide rails: \$45 per rollshutter unit

Standard Factory Colours:

White, Beige, Brown, Black and Silver. Custom colours are available as a chargeable option.



Prices within the AA range section indicate that tape operators can be used to operate these shutters.

Manual Operators	Price
Tape Operators AA Section Only	\$ 103
2:1, 3:1, 4:1, or 11:1 gear with attached crank rod or removable crank rod with bell. ABS or Limit gear. AA and A sections	\$ 313
Credit for unused crank rod (when crank rod not required)	-\$ 76
Torsion Spring (minimum rollshutter width: A2=27" (0.69 m) for use with cabinet or small counter enclosures)	\$ 368

• Manual operators only available for curtains within the "A" range on the price chart.

Minimum Overall Width (A2) required for Manual Override Motor	Inch	cm
Standard Limit Motor	26.5	67
Somfy RTS Motor	34	86

Motor Type	Standard Limit Motors				Radio Motors			
	Somfy		Talius		Somfy RTS		Talius RF	
	Regular	Manual Override	Regular	Manual Override	Regular	Manual Override	Regular	Manual Override
A	771	1,280	771	1,280	1,170	1,572	1,170	1,572
B	844	1,315	771	1,280	1,246	1,647	1,170	1,572
C	879	1,532	771	1,280	1,279	1,679	1,170	1,572
D	914	1,532	914	1,532	1,314	1,722	1,314	1,722
E	1,022	1,722	914	1,532	1,531	2,040	1,314	1,722
F	1,280	1,830	914	1,532	1,785	N/A	1,314	1,722

• Standard Limit Motors include 120VAC/60Hz tubular motor with hard wired motor cable and paddle switch (SPDT).
 • Somfy RTS Motors include 120VAC/60Hz tubular motor with hard wired motor cable with bare ends, and one standard single channel hand held transmitter.

Minimum Overall Width (A2) required	Inch	cm
Manual Operators	20	51
Standard Limit Motor	22	52
Somfy RTS Motor	24	58

Feet		Horizontal Scale: Width Including Guide Rails (A2)																	
		7'				8'				9'				10'				11'	
Inch		76	80	84	88	92	96	100	104	108	112	116	120	124	128	132			
Metre		1.93	2.03	2.13	2.24	2.34	2.44	2.54	2.64	2.74	2.84	2.95	3.05	3.15	3.25	3.35			
Vertical Scale: Height excluding Panel Box (B1)	20	0.51	656	677	699	720	741	762	783	805	825	846	868	888	910	932	954		
	2'	24	0.61	736	759	784	809	833	858	883	907	932	957	984	1008	1034	1059	1084	
		28	0.71	813	842	871	898	926	954	984	1011	1041	1070	1098	1128	1155	1185	1215	
		32	0.81	894	924	955	988	1020	1053	1084	1116	1149	1181	1214	1247	1278	1312	1345	
	3'	36	0.91	972	1007	1042	1077	1113	1149	1184	1220	1256	1292	1329	1364	1402	1437	1476	
		40	1.02	1049	1089	1128	1168	1205	1245	1285	1324	1363	1403	1445	1483	1524	1565	1604	
		44	1.12	1129	1171	1215	1256	1300	1342	1384	1428	1471	1516	1558	1602	1646	1691	1735	
	4'	48	1.22	1207	1253	1300	1346	1392	1438	1485	1533	1579	1626	1674	1723	1769	1818	1866	
		52	1.32	1286	1336	1385	1435	1485	1535	1587	1637	1688	1737	1788	1841	1892	1943	1995	
		56	1.42	1364	1417	1471	1524	1578	1632	1686	1741	1796	1850	1905	1960	2015	2071	2126	
	5'	60	1.52	1445	1501	1557	1614	1671	1730	1786	1844	1902	1962	2019	2078	2138	2196	2257	
		64	1.63	1522	1583	1643	1703	1765	1825	1888	1949	2011	2073	2134	2197	2260	2324	2385	
		68	1.73	1601	1665	1730	1795	1857	1922	1988	2053	2119	2185	2249	2316	2383	2450	2517	
	6'	72	1.83	1680	1747	1815	1884	1950	2019	2087	2156	2226	2295	2365	2435	2505	2577	2647	
		76	1.93	1759	1830	1901	1973	2045	2117	2189	2261	2334	2406	2480	2555	2628	2702	2776	
		80	2.03	1837	1912	1986	2062	2138	2213	2290	2365	2441	2519	2595	2673	2750	2827	2908	
7'	84	2.13	1917	1994	2073	2151	2230	2310	2389	2470	2549	2631	2711	2792	2874	2955	3036		
	88	2.24	1995	2077	2158	2241	2325	2406	2490	2573	2658	2742	2825	2911	2997	3082	3166		
	92	2.34	2073	2158	2244	2330	2417	2503	2591	2678	2766	2854	2942	3030	3119	3208	3298		
8'	96	2.44	2152	2241	2330	2420	2511	2601	2690	2782	2873	2965	3056	3149	3242	3335	3427		
	100	2.54	2231	2325	2417	2510	2603	2698	2791	2886	2981	3076	3172	3267	3365	3461	3557		
	104	2.64	2309	2405	2502	2600	2697	2793	2892	2989	3089	3188	3286	3387	3486	3586	3689		
9'	108	2.74	2387	2489	2589	2688	2790	2891	2992	3094	3196	3299	3403	3506	3608	3714	3817		
	112	2.84	2468	2570	2673	2777	2882	2987	3093	3198	3304	3410	3517	3625	3733	3839			
	116	2.95	2545	2653	2759	2867	2975	3085	3193	3303	3413	3524	3633	3744	3855				
10'	120	3.05	2625	2734	2845	2956	3069	3182	3295	3406	3519	3634	3747	3863					
	124	3.15																	
	128	3.25																	
11'	132	3.35																	
	136	3.45																	
	140	3.56																	
12'	144	3.66																	
	148	3.76																	
	152	3.86																	
13'	156	3.96																	

SHIELD Mini (continued)

Standard Features

- SHIELD Mini Rollshutter Curtain
- Extruded aluminum bottom profile
- Precision roll-formed aluminum panel box assembly
- Two extruded aluminum guide rails (your choice of PRO, SAFE, Pro-40, or Safe-40) fitted with weather stripping

NOTE: For all rollshutters wider than 8' and for rollshutters used in windy conditions or for high security, we recommend an upgrade to PRO-40, or SAFE-40 guide rails: \$45 per rollshutter unit

Standard Factory Colours:

White, Beige, Brown, Black and Silver. Custom colours are available as a chargeable option.

A Prices within the AA range section indicate that tape operators can be used to operate these shutters.

Manual Operators	Price
Tape Operators AA Section Only	\$ 103
2:1, 3:1, 4:1, or 11:1 gear with attached crank rod or removable crank rod with bell. ABS or Limit gear. AA and A sections	\$ 313
Credit for unused crank rod (when crank rod not required)	- \$ 76
Torsion Spring (minimum rollshutter width: A2=27" (0.69 m) for use with cabinet or small counter enclosures	\$ 368

• Manual operators only available for curtains within the "A" range on the price chart.

Minimum Overall Width (A2) required for Manual Override Motor	Inch	cm
Standard Limit Motor	26.5	67
Somfy RTS Motor	34	86

Motor Type	Standard Limit Motors				Radio Motors			
	Somfy		Talius		Somfy RTS		Talius RF	
	Regular	Manual Override	Regular	Manual Override	Regular	Manual Override	Regular	Manual Override
A	771	1,280	771	1,280	1,170	1,572	1,170	1,572
B	844	1,315	771	1,280	1,246	1,647	1,170	1,572
C	879	1,532	771	1,280	1,279	1,679	1,170	1,572
D	914	1,532	914	1,532	1,314	1,722	1,314	1,722
E	1,022	1,722	914	1,532	1,531	2,040	1,314	1,722
F	1,280	1,830	914	1,532	1,755	N/A	1,314	1,722

• Standard Limit Motors include 120VAC/60Hz tubular motor with hard wired motor cable and paddle switch (SPDT).
 • Somfy RTS Motors include 120VAC/60Hz tubular motor with hard wired motor cable with bare ends, and one standard single channel hand held transmitter.

Minimum Overall Width (A2) required	Inch	cm
Manual Operators	20	51
Standard Limit Motor	22	52
Somfy RTS Motor	24	58

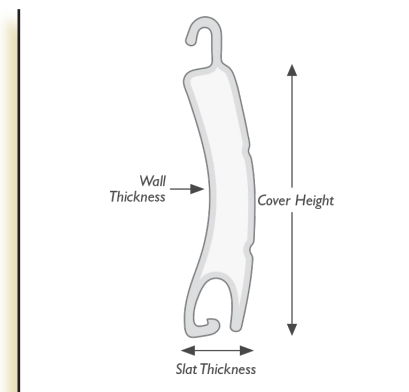
		Horizontal Scale: Width Including Guide Rails (A2)									
Feet											
Vertical Scale: Height excluding Panel Box (B1)	Inch										
	Metre	12'	13'	14'							
	20	0.51	975	997	1019	1041	1063	1085	1108	1130	1152
2'	24	0.61	1110	1135	1161	1186	1214	1239	1265	1291	1317
	28	0.71	1243	1273	1303	1333	1362	1392	1423	1451	1481
	32	0.81	1378	1411	1445	1478	1511	1546	1578	1612	1646
3'	36	0.91	1512	1549	1587	1623	1660	1697	1735	1773	1811
	40	1.02	1645	1686	1727	1769	1809	1851	1892	1935	1976
	44	1.12	1780	1824	1869	1913	1960	2004	2050	2096	2141
4'	48	1.22	1913	1962	2010	2060	2107	2156	2207	2257	2306
	52	1.32	2048	2100	2152	2204	2258	2310	2363	2417	2470
	56	1.42	2182	2238	2294	2350	2406	2464	2521	2578	2634
5'	60	1.52	2315	2376	2435	2495	2557	2616	2678	2738	2800
	64	1.63	2450	2513	2578	2640	2704	2769	2835	2898	2964
	68	1.73	2583	2651	2719	2787	2855	2921	2990	3058	3128
6'	72	1.83	2717	2789	2860	2932	3003	3075	3148	3220	3295
	76	1.93	2851	2926	3001	3076	3154	3229	3305	3382	3459
	80	2.03	2985	3065	3143	3221	3302	3382	3462	3542	3623
7'	84	2.13	3120	3201	3284	3369	3450	3535	3619	3703	3787
	88	2.24	3253	3340	3426	3513	3601	3689	3776	3864	
	92	2.34	3387	3478	3568	3658	3749	3842			
8'	96	2.44	3520	3616	3710	3804					
	100	2.54	3655	3753	3852						
	104	2.64	3790								
9'	108	2.74									
	112	2.84									
	116	2.95									
10'	120	3.05									
	124	3.15									
	128	3.25									
11'	132	3.35									
	136	3.45									
	140	3.56									
12'	144	3.66									
	148	3.76									
	152	3.86									
13'	156	3.96									

SAFE Mini™

Exclusive to Talius, the Safe Mini™ profile is a heavy-duty, roll-formed aluminum profile with a super-hard resin core and tough enamel finish.

Typical Applications and Solutions

- Residential and Commercial window and door applications for high wind, storm and hurricane protection. Also provides excellent protection against cold and heat.
- Commercial and residential high-security applications including window and door protection, security for counter enclosures, storage areas and tobacco, liquor, computer, electronics or medical filing cabinets.



Specifications:

Cover Height	Slat Thickness	Wall Thickness	Number of Slats per Height	Weight per Area	Finish	Core Material
1 7/16"	3/8"	0.0244"	0.668/inch	0.0114 lbs/inch ²	Enamel 0.0020"	Polyurethane Hard Resin
37 mm	9 mm	0.62 mm	26.3/m	8.0 kg/m ²	Enamel 0.05 mm	

Size Limitations:

Maximum Width (A2)			Maximum Height (B1)			Maximum Area (A2 x B1)		
Metre	Feet	Inches	Metre	Feet	Inches	Metre ²	Feet ²	Inch ²
4.88	16	192	3.96	13	156	13.0 ₂	140 ₂	20,160 ₂



You must comply with all three maximums. Do not exceed any one of them. Maximums are automatically reduced if the rollshutter is exposed to high winds, must satisfy stringent security requirements or is freestanding, such as in the case of a patio enclosure.

Panel Box Limitations

Heights shown are guide rail heights (B1). Ensure sufficient room above the guide rails for the rollshutter panel box. In addition, the curtain's bottom profile protrudes approximately 2" (50mm) below the bottom of the panel box when the curtain is fully rolled up. Therefore, measure the rollshutter purposely high enough to clear any opening window or door parts, or tops of counter enclosures.

This chart is intended to be a reference guide only. If you have headroom limitations on site, please contact our Channel Sales team with your site details for an accurate sizing.

SAFE MINI	40 Shaft		60 Shaft		70 Shaft		102 Shaft		40 Shaft		60 Shaft		70 Shaft	
Panel Box	BI UNIT MEASUREMENT								BI UNIT MEASUREMENT WHEN USING HANGER LOCKS					
	Inch	Metre	Inch	Metre	Inch	Metre	Inch	Metre	Inch	Metre	Inch	Metre	Inch	Metre
125	20	.53	20	.53	20	.53			20	.53	18	.46		
150	45	1.16	45	1.16	35	.89			45	1.16	42	1.07		
165	59	1.52	59	1.52	53	1.37			59	1.52	50	1.27	42	1.07
180	75	1.91	72	1.83	68	1.75	40	1.04	75	1.91	64	1.63	61	1.56
205	105	2.68	101	2.57	88	2.25	70	1.80	105	2.68	100	2.54	87	2.23
230	138	3.52	125	3.18	125	3.18	103	2.62	138	3.52	125	3.18	124	3.15
250	172	4.37	161	4.10	161	4.10	128	3.26	172	4.37	161	4.10	159	4.06
300	270	6.86	261	6.65	246	6.25	203	5.16	270	6.86	261	6.65	235	5.97

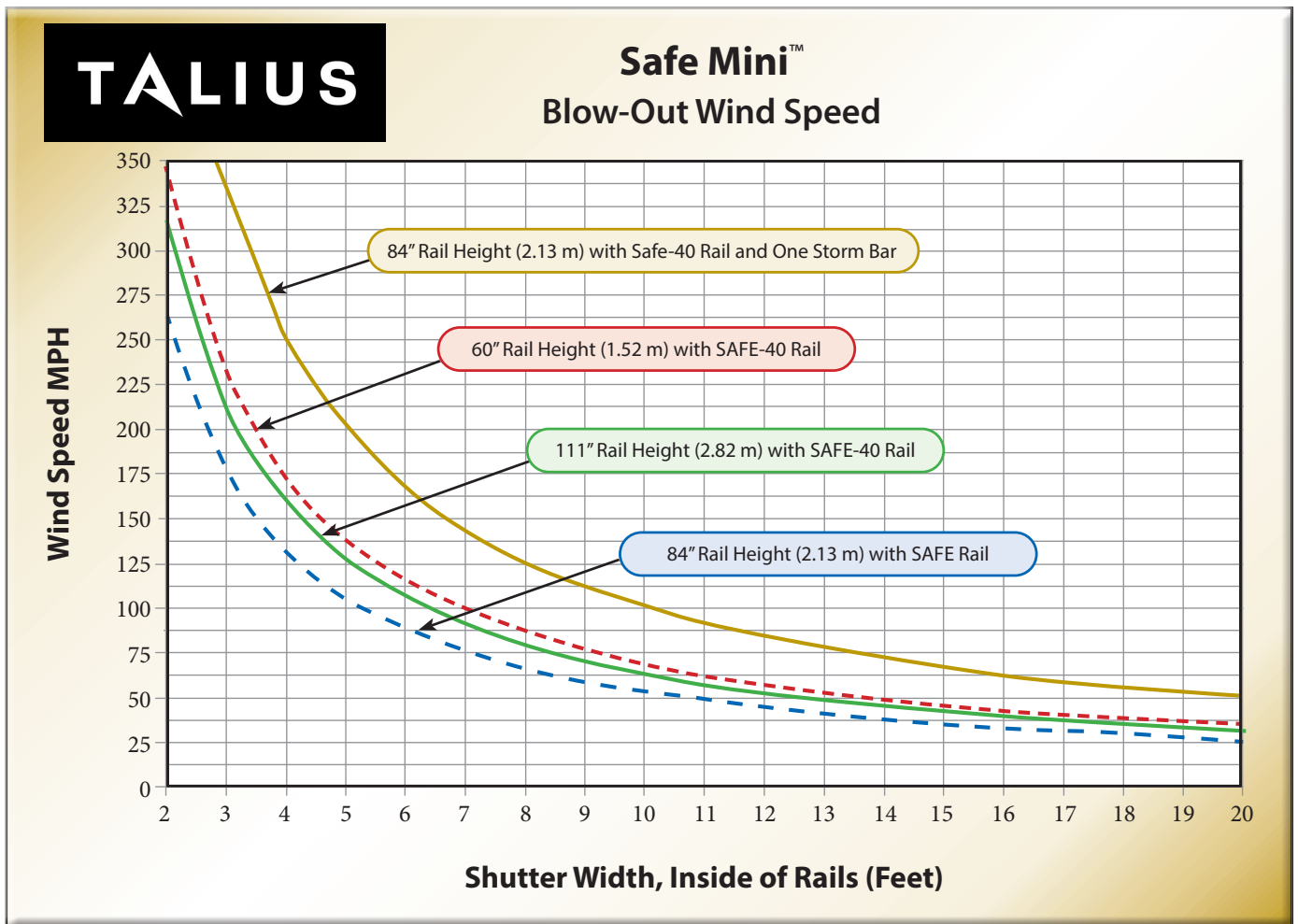
SAFE Mini (continued)

Wind Load Information

The graph below shows blow-out wind speed for unprotected, free standing rollshutter curtains. Where rollshutters cover windows and doors you may expect considerably better performance due to the protection offered by the overall wall surface.

Testing was done at the curtain heights stated in the graph. Performance of the actual rollshutter will improve slightly if the application is lower in height than the tested unit. Conversely, performance will decrease slightly if your actual rollshutter is taller than the tested unit.

Before ordering/installing your unit, refer to our recommended fastener schedule at the front of this price book. Ensure that your installation meets the recommended requirements for fastener embedment into a solid backing material. Talius also recommends spacing fasteners every 6" for units susceptible to high winds.



SAFE Mini (continued)

Standard Features

- SAFE Mini Rollshutter Curtain
- Extruded aluminum bottom profile
- Precision roll-formed aluminum panel box assembly
- Two extruded aluminum guide rails (your choice of PRO or Safe) fitted with weather stripping

NOTE: For all rollshutters wider than 8' and for rollshutters used in windy conditions or for high security, we recommend an upgrade to PRO-40, or SAFE-40 guide rails: \$45 per rollshutter unit or the SafeGuard End Retention Rail System (see following pages).

Standard Factory Colours:

White, Beige, Brown, Black and Silver. Custom colours are available as a chargeable option.

Manual Operators	Price
Tape Operators AA Section Only	\$ 103
2:1, 3:1, 4:1, or 11:1 gear with attached crank rod or removable crank rod with bell. ABS or Limit gear. AA and A sections	\$ 313
Credit for unused crank rod (when crank rod not required)	-\$ 76
Torsion Spring (minimum rollshutter width: A2=27" (0.69 m) for use with cabinet or small counter enclosures	\$ 368

• Manual operators only available for curtains within the "A" range on the price chart.

Minimum Overall Width (A2) required for Manual Override Motor	Inch	cm
Standard Limit Motor	26.5	67
Somfy RTS Motor	34	86

Motor Type	Standard Limit Motors				Radio Motors			
	Somfy		Talus		Somfy RTS		Talus RF	
	Regular	Manual Override	Regular	Manual Override	Regular	Manual Override	Regular	Manual Override
A	771	1,280	771	1,280	1,170	1,572	1,170	1,572
B	844	1,315	771	1,280	1,246	1,647	1,170	1,572
C	879	1,532	771	1,280	1,279	1,679	1,170	1,572
D	914	1,532	914	1,532	1,314	1,722	1,314	1,722
E	1,022	1,722	914	1,532	1,531	2,040	1,314	1,722
F	1,280	1,830	914	1,532	1,755	N/A	1,314	1,722

• Standard Limit Motors include 120VAC/60Hz tubular motor with hard wired motor cable and paddle switch (SPDT).
 • Somfy RTS Motors include 120VAC/60Hz tubular motor with hard wired motor cable with bare ends, and one standard single channel hand held transmitter.

Minimum Overall Width (A2) required	Inch	cm
Manual Operators	20	51
Standard Limit Motor	22	52
Somfy RTS Motor	24	58

Horizontal Scale: Width Including Guide Rails (A2)

Vertical Scale: Height excluding Panel Box (B1)

Feet	Horizontal Scale: Width Including Guide Rails (A2)																					
	Inch	Metre	2				3				4				5				6			
			20	24	28	32	36	40	44	48	52	56	60	64	68	72						
20	0.51	0.51	462	490	517	545	574	602	630	659	687	717	744	773	802	831						
2'	24	0.61	503	536	566	600	632	664	698	732	763	796	831	863	896	931						
	28	0.71	542	580	616	654	689	729	765	803	840	878	916	954	992	1031						
	32	0.81	583	625	665	708	748	791	833	875	917	960	1001	1044	1087	1129						
3'	36	0.91	624	669	714	761	808	854	899	948	993	1041	1087	1135	1183	1228						
	40	1.02	664	713	765	816	866	916	967	1019	1070	1121	1172	1225	1276	1328						
	44	1.12	704	758	814	868	924	979	1036	1092	1147	1203	1259	1316	1372	1428						
4'	48	1.22	744	803	863	922	984	1043	1102	1162	1223	1285	1344	1404	1467	1528						
	52	1.32	785	847	912	976	1041	1105	1170	1234	1300	1364	1430	1496	1560	1628						
	56	1.42	823	893	962	1031	1099	1168	1238	1305	1377	1446	1516	1586	1656	1727						
5'	60	1.52	866	938	1011	1085	1159	1230	1304	1378	1452	1528	1602	1677	1752	1826						
	64	1.63	907	984	1061	1138	1217	1294	1373	1450	1529	1608	1688	1767	1847	1928						
	68	1.73	946	1027	1110	1192	1274	1356	1439	1522	1606	1689	1774	1858	1942	2027						
6'	72	1.83	987	1072	1160	1245	1331	1419	1507	1594	1682	1771	1859	1947	2038	2126						
	76	1.93	1027	1117	1208	1300	1391	1482	1573	1667	1759	1851	1945	2039	2132	2226						
	80	2.03	1067	1162	1257	1353	1449	1546	1642	1737	1834	1932	2031	2129	2227	2327						
7'	84	2.13	1108	1206	1306	1406	1507	1608	1709	1810	1911	2015	2116	2218	2320	2425						
	88	2.24	1148	1251	1356	1460	1567	1670	1776	1883	1988	2094	2202	2309	2416	2524						
	92	2.34	1190	1297	1404	1515	1625	1734	1845	1955	2064	2176	2287	2398	2512	2624						
8'	96	2.44	1228	1341	1455	1569	1682	1797	1910	2027	2141	2258	2372	2490	2607	2723						
	100	2.54	1269	1386	1504	1624	1742	1859	1979	2099	2218	2338	2460	2581	2702	2823						
	104	2.64	1311	1432	1554	1676	1800	1922	2044	2171	2294	2419	2545	2670	2798	2924						
9'	108	2.74	1349	1476	1602	1730	1858	1985	2114	2242	2371	2501	2629	2761	2891	3035						
	112	2.84	1391	1521	1653	1784	1916	2049	2182	2315	2448	2583	2716	2852	2987	3122						
	116	2.95	1432	1567	1702	1837	1975	2111	2248	2387	2524	2662	2802	2941	3082	3223						
10'	120	3.05	1471	1610	1751	1891	2032	2174	2316	2457	2601	2744	2889	3032	3177	3322						
	124	3.15	1511	1655	1800	1945	2090	2237	2383	2529	2678	2825	2974	3122	3272	3421						
	128	3.25	1553	1701	1850	2000	2150	2298	2450	2601	2754	2907	3060	3212	3366	3520						
11'	132	3.35	1592	1746	1899	2053	2208	2363	2517	2673	2830	2988	3145	3303	3461	3621						
	136	3.45	1632	1789	1947	2106	2266	2425	2585	2745	2908	3069	3230	3395	3557	3721						
	140	3.56	1674	1834	1999	2160	2324	2489	2654	2818	2984	3150	3318	3483	3652	3820						
12'	144	3.66	1713	1880	2048	2214	2383	2550	2720	2890	3060	3230	3403	3575	3746	3920						
	148	3.76	1753	1924	2096	2269	2441	2614	2789	2962	3137	3313	3489	3665	3842	4020						
	152	3.86	1795	1968	2144	2320	2500	2677	2854	3033	3212	3394	3574	3755	3937	4119						
13'	156	3.96	1834	2015	2195	2375	2558	2741	2922	3106	3288	3475	3659	3845	4033	4219						

SAFE Mini (continued)

Standard Features

- SAFE Mini Rollshutter Curtain
- Extruded aluminum bottom profile
- Precision roll-formed aluminum panel box assembly
- Two extruded aluminum guide rails (your choice of PRO or Safe) fitted with weather stripping

NOTE: For all rollshutters wider than 8' and for rollshutters used in windy conditions or for high security, we recommend an upgrade to PRO-40, or SAFE-40 guide rails: \$45 per rollshutter unit or the SafeGuard End Retention Rail System (see following pages).

Standard Factory Colours:

White, Beige, Brown, Black and Silver. Custom colours are available as a chargeable option.

Manual Operators	Price
TAPE OPERATORS AA SECTION ONLY	\$ 103
2:1, 3:1, 4:1, or 11:1 gear with attached crank rod or removable crank rod with bell. ABS or Limit gear. AA and A sections	\$ 313
Credit for unused crank rod (when crank rod not required)	- \$ 76
Torsion Spring (minimum rollshutter width: A2=27" (0.69 m) for use with cabinet or small counter enclosures	\$ 368

• Manual operators only available for curtains within the "A" range on the price chart.

Minimum Overall Width (A2) required for Manual Override Motor	Inch	cm
Standard Limit Motor	26.5	67
Somfy RTS Motor	34	86

Motor Type	Standard Limit Motors				Radio Motors			
	Somfy		Talius		Somfy RTS		Talius RF	
	Regular	Manual Override	Regular	Manual Override	Regular	Manual Override	Regular	Manual Override
A	771	1,280	771	1,280	1,170	1,572	1,170	1,572
B	844	1,315	771	1,280	1,246	1,647	1,170	1,572
C	879	1,532	771	1,280	1,279	1,679	1,170	1,572
D	914	1,532	914	1,532	1,314	1,722	1,314	1,722
E	1,022	1,722	914	1,532	1,531	2,040	1,314	1,722
F	1,280	1,830	914	1,532	1,755	N/A	1,314	1,722

• Standard Limit Motors include 120VAC/60Hz tubular motor with hard wired motor cable and paddle switch (SPDT).

• Somfy RTS Motors include 120VAC/60Hz tubular motor with hard wired motor cable with bare ends, and one standard single channel hand held transmitter.

Minimum Overall Width (A2) required	Inch	cm
Manual Operators	20	51
Standard Limit Motor	22	52
Somfy RTS Motor	24	58

Horizontal Scale: Width Including Guide Rails (A2)

Vertical Scale: Height excluding Panel Box (B1)	Feet		Horizontal Scale: Width Including Guide Rails (A2)															
	Inch	Metre	7'		8'		9'		10'		11'		12'		13'			
			76	80	84	88	92	96	100	104	108	112	116	120	124	128	132	
20	0.51	858	889	917	948	975	1007	1034	1064	1093	1122	1152	1183	1213	1242	1271		
2'	24	0.61	964	997	1032	1065	1099	1133	1168	1202	1237	1269	1304	1339	1374	1407	1444	
	28	0.71	1069	1107	1144	1184	1221	1262	1300	1339	1378	1416	1456	1495	1534	1576	1615	
	32	0.81	1172	1216	1259	1302	1346	1389	1433	1476	1520	1566	1608	1653	1697	1742	1786	
3'	36	0.91	1276	1324	1373	1421	1469	1517	1566	1613	1663	1711	1760	1809	1858	1907	1957	
	40	1.02	1380	1434	1484	1539	1592	1645	1698	1751	1803	1858	1910	1965	2019	2075	2129	
	44	1.12	1484	1543	1600	1656	1713	1773	1831	1887	1946	2005	2063	2121	2182	2239	2298	
4'	48	1.22	1591	1652	1713	1775	1837	1900	1963	2026	2089	2152	2215	2280	2342	2406	2471	
	52	1.32	1693	1760	1826	1892	1961	2028	2096	2162	2231	2297	2367	2436	2504	2572	2643	
	56	1.42	1799	1869	1941	2012	2084	2156	2229	2298	2372	2445	2519	2592	2666	2739	2814	
5'	60	1.52	1903	1979	2054	2132	2208	2284	2362	2439	2514	2593	2670	2747	2827	2907	2984	
	64	1.63	2007	2087	2169	2250	2330	2412	2492	2576	2658	2741	2822	2904	2989	3072	3154	
	68	1.73	2111	2196	2282	2368	2453	2539	2625	2714	2800	2888	2974	3064	3150	3238	3326	
6'	72	1.83	2215	2306	2394	2486	2577	2667	2759	2851	2941	3033	3127	3219	3310	3405	3497	
	76	1.93	2319	2414	2510	2604	2699	2796	2891	2988	3084	3181	3278	3375	3473	3572	3669	
	80	2.03	2425	2524	2623	2722	2823	2924	3024	3126	3227	3327	3430	3531	3635	3736	3841	
7'	84	2.13	2527	2634	2737	2841	2946	3052	3155	3262	3369	3475	3581	3689	3795	3904	4012	
	88	2.24	2634	2742	2851	2958	3069	3179	3288	3399	3512	3623	3734	3845	3957	4070	4183	
	92	2.34	2738	2851	2965	3077	3192	3307	3421	3537	3652	3769	3885	4001	4119	4238	4353	
8'	96	2.44	2841	2958	3077	3198	3315	3435	3555	3674	3794	3916	4037	4158	4279	4403	4525	
	100	2.54	2946	3068	3192	3315	3439	3562	3688	3811	3938	4063	4190	4316	4443	4569	4697	
	104	2.64	3050	3178	3306	3434	3561	3690	3820	3948	4080	4210	4340	4472	4604	4736	4869	
9'	108	2.74	3154	3286	3419	3552	3685	3819	3953	4087	4221	4355	4493	4628	4763	4901	5038	
	112	2.84	3259	3396	3533	3670	3808	3945	4085	4223	4364	4504	4645	4784	4927	5068	5210	
	116	2.95	3362	3504	3646	3788	3931	4074	4218	4363	4506	4650	4796	4942	5088	5235	5382	
10'	120	3.05	3468	3613	3760	3907	4056	4201	4350	4499	4649	4799	4948	5100	5250	5401	5553	
	124	3.15	3573	3724	3872	4024	4177	4329	4483	4637	4791	4946	5101	5256	5412	5569	5724	
	128	3.25	3676	3832	3987	4143	4300	4457	4617	4774	4933	5091	5251	5412	5572	5734	5896	
11'	132	3.35	3781	3941	4100	4262	4424	4585	4748	4911	5075	5239	5404	5570	5734	5900	6067	
	136	3.45	3885	4048	4216	4381	4547	4715	4881	5049	5218	5385	5557	5726	5896	6067	6237	
	140	3.56	3989	4158	4328	4499	4669	4843	5013	5186	5360	5533	5707	5881	6057	6232	6409	
12'	144	3.66	4094	4267	4443	4618	4794	4970	5147	5322	5500	5679	5860	6038	6219	6399	6581	
	148	3.76	4197	4376	4557	4735	4916	5098	5279	5461	5645	5827	6011	6195	6382	6565	6752	
	152	3.86	4301	4486	4669	4855	5038	5225	5412	5597	5786	5975	6164	6352	6541	6732	6922	
13'	156	3.96	4407	4595	4783	4972	5163	5354	5544	5736	5927	6121	6313	6508	6703	6897		

SAFE Mini (continued)

Standard Features

- SAFE Mini Rollshutter Curtain
- Extruded aluminum bottom profile
- Precision roll-formed aluminum panel box assembly
- Two extruded aluminum guide rails (your choice of PRO or Safe) fitted with weather stripping

NOTE: For all rollshutters wider than 8' and for rollshutters used in windy conditions or for high security, we recommend an upgrade to PRO-40 or SAFE-40 guide rails for \$45 per rollshutter unit or the SafeGuard End Retention Rail System (see following pages).

Standard Factory Colours:

White, Beige, Brown, Black and Silver. Custom colours are available as a chargeable option.

Manual Operators	Price
Tape Operators AA Section Only	\$ 103
2:1, 3:1, 4:1, or 11:1 gear with attached crank rod or removable crank rod with bell. ABS or Limit gear. AA and A sections	\$ 313
Credit for unused crank rod (when crank rod not required)	- \$ 76
Torsion Spring (minimum rollshutter width: A2=27" (0.69 m) for use with cabinet or small counter enclosures	\$ 368

• Manual operators only available for curtains within the "A" range on the price chart.

Minimum Overall Width (A2) required for Manual Override Motor	Inch	cm
Standard Limit Motor	26.5	67
Somfy RTS Motor	34	86

Motor Type	Standard Limit Motors				Radio Motors			
	Somfy		Talius		Somfy RTS		Talius RF	
	Regular	Manual Override	Regular	Manual Override	Regular	Manual Override	Regular	Manual Override
A	771	1,280	771	1,280	1,170	1,572	1,170	1,572
B	844	1,315	771	1,280	1,246	1,647	1,170	1,572
C	879	1,532	771	1,280	1,279	1,679	1,170	1,572
D	914	1,532	914	1,532	1,314	1,722	1,314	1,722
E	1,022	1,722	914	1,532	1,531	2,040	1,314	1,722
F	1,280	1,830	914	1,532	1,785	N/A	1,314	1,722

• Standard Limit Motors include 120VAC/60Hz tubular motor with hard wired motor cable and paddle switch (SPDT).
 • Somfy RTS Motors include 120VAC/60Hz tubular motor with hard wired motor cable with bare ends, and one standard single channel hand held transmitter.

Minimum Overall Width (A2) required	Inch	cm
Manual Operators	20	51
Standard Limit Motor	22	52
Somfy RTS Motor	24	58

Horizontal Scale: Width Including Guide Rails (A2)

Feet	Inch	Metre	Horizontal Scale: Width Including Guide Rails (A2)															
			136	140	144	148	152	156	160	164	168	172	176	180	184	188	192	
			3.45	3.56	3.66	3.76	3.86	3.96	4.06	4.17	4.27	4.37	4.47	4.57	4.67	4.78	4.88	
2'	20	0.51	1302	1331	1362	1392	1423	1452	1483	1515	1546	1576	1606	1636	1668	1699	1730	
	24	0.61	1477	1513	1548	1582	1619	1654	1689	1725	1760	1797	1832	1867	1905	1940	1977	
3'	28	0.71	1654	1693	1734	1774	1813	1855	1896	1935	1977	2017	2057	2099	2140	2182	2221	
	32	0.81	1831	1876	1921	1965	2009	2055	2101	2145	2193	2238	2284	2330	2375	2423	2468	
4'	36	0.91	2006	2056	2105	2156	2207	2257	2307	2357	2408	2460	2511	2561	2612	2665	2715	
	40	1.02	2183	2237	2292	2347	2403	2457	2513	2568	2623	2680	2737	2792	2848	2904	2962	
5'	44	1.12	2358	2417	2479	2538	2598	2659	2719	2779	2840	2900	2962	3023	3084	3145	3207	
	48	1.22	2535	2599	2665	2728	2793	2858	2924	2991	3055	3121	3187	3254	3321	3386	3454	
6'	52	1.32	2711	2779	2851	2920	2989	3060	3130	3201	3272	3343	3413	3484	3556	3628	3700	
	56	1.42	2888	2962	3034	3109	3186	3261	3336	3412	3489	3562	3638	3715	3792	3869	3945	
7'	60	1.52	3065	3143	3222	3302	3382	3461	3541	3623	3703	3784	3866	3947	4029	4111	4193	
	64	1.63	3239	3324	3407	3492	3578	3662	3747	3833	3919	4004	4092	4177	4265	4351	4440	
8'	68	1.73	3416	3504	3593	3684	3772	3864	3953	4044	4135	4227	4317	4408	4501	4593	4685	
	72	1.83	3591	3685	3781	3872	3968	4064	4160	4254	4351	4447	4543	4640	4737	4834	4932	
9'	76	1.93	3768	3867	3965	4065	4165	4265	4365	4465	4567	4668	4768	4871	4972	5076	5178	
	80	2.03	3943	4047	4151	4255	4361	4465	4571	4677	4782	4888	4996	5102	5209	5317	5423	
10'	84	2.13	4120	4229	4338	4447	4557	4667	4777	4887	4998	5110	5221	5333	5444	5558	5670	
	88	2.24	4296	4410	4524	4639	4752	4869	4981	5098	5213	5330	5445	5563	5681	5800	5916	
11'	92	2.34	4472	4591	4710	4828	4948	5067	5188	5309	5431	5551	5672	5794	5917	6041	6164	
	96	2.44	4649	4772	4897	5020	5143	5268	5394	5520	5646	5771	5899	6025	6153	6279	6409	
12'	100	2.54	4824	4954	5081	5210	5340	5470	5599	5731	5862	5994	6125	6256	6388	6522	6655	
	104	2.64	5001	5134	5267	5403	5537	5671	5805	5942	6078	6214	6351	6488	6626	6762	6902	
13'	108	2.74	5176	5316	5454	5593	5733	5871	6013	6153	6295	6434	6577	6719	6860			
	112	2.84	5354	5496	5639	5784	5927	6072	6218	6363	6508	6655	6803	6949				
14'	116	2.95	5530	5675	5826	5975	6123	6274	6423	6574	6725	6878						
	120	3.05	5706	5860	6011	6165	6320	6474	6629	6784	6940							
15'	124	3.15	5881	6041	6198	6356	6515	6675	6835									
	128	3.25	6057	6220	6384	6547	6712	6877										
16'	132	3.35	6234	6401	6570	6738	6907											
	136	3.45	6409	6582	6757	6929												
17'	140	3.56	6586	6763	6940													
	144	3.66	6762	6945														
18'	148	3.76	6938															
	152	3.86																
19'	156	3.96																

Vertical Scale: Height excluding Panel Box (B1)

■ SAFE Mini™ with SafeGuard End Retention Rail System

The Talius SafeGuard End Retention System is designed for use with our SAFE Mini profile only. It features the Talius SafeGuard Rail with a unique wind-lock channel, a special end retention insert with wind-lock, and an optional reinforced bottom profile. The SafeGuard system provides increased strength and resistance against both positive and negative forces associated with high wind load and burglar attempts. For applications where break-in attempts are frequent, this system is virtually impenetrable and for applications where high winds and tropical storms are common, the SafeGuard End Retention system will ensure the greatest protection.



Burglar Certification

The SafeGuard End Retention System has been tested in Europe for high security applications and has achieved an RC2 certification for Burglar Resistance under European Standard EN1627.

The European Standard EN1627 encompasses several resistance classes which are based on the type of tools used to simulate a break-in and the length of time measured to succeed in gaining entry. Qualifying for the RC2 certification is very significant since there is no similar rating system in North America for rollshutters, making the European Standard the only industry benchmark.

The SafeGuard End Retention System was able to achieve this certification due to the combination of the additional wind-lock incorporated into the end retention insert, the unique wind-lock channel within the SafeGuard rail, and the reinforced bottom profile.

Optional Bottom Profile

The SafeGuard reinforced bottom profile is designed to reduce deflection by providing greater strength to the rollshutter curtain. It should be noted that, testing for the RC2 certification was performed using all SafeGuard components. Therefore, if you choose to opt out of the reinforced bottom profile, the unit can not be deemed an RC2 certified product. Talius recommends selecting the SafeGuard bottom profile for applications intended to combat strong winds or where high security is required.

When the reinforced bottom profile is not the preferred choice, the rollshutter unit will be supplied with the Talius regular bottom profile.

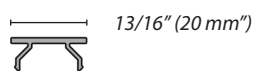
Typical Applications and Solutions

- Residential, commercial and institutional window and door applications for high-security, wind, storm and hurricane protection.
- Ideal for garage doors, patio enclosures or any location where no structural support exists behind the rollshutter curtain.
- May also be used to secure counter enclosures, storage areas and tobacco, liquor, computer, electronics or medical filing cabinets.
- Provides an energy-efficient solution to lower on demand energy use in both hot and cold climates.

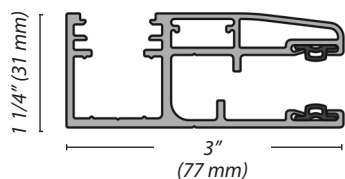
SAFE Mini™ with SafeGuard End Retention Rail System (continued)

System Components:

Guide Rail
Cap



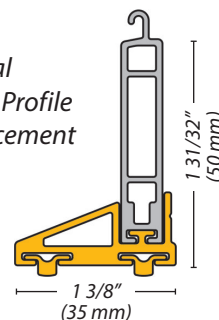
Guide
Rail



End retention
insert with
wind-lock



Optional
Bottom Profile
Reinforcement



Specifications:

Cover Height	Slat Thickness	Wall Thickness	Number of Slats per Height	Weight per Area	Finish	Core Material
1 7/16"	3/8"	0.0244"	0.668/inch	0.0114 lbs/inch ²	Enamel 0.0020"	Polyurethane Hard Resin
37 mm	9 mm	0.62 mm	26.3/m	8.0 kg/m ²	Enamel 0.05 mm	

Size Limitations:

Maximum Width (A2)			Maximum Height (B1)			Maximum Area (A2 x B1)		
Metre	Feet	Inches	Metre	Feet	Inches	Metre ²	Feet ²	Inch ²
4.88	16	192	3.96	13	156	13.0 ²	140 ²	20,160 ²



You must comply with all three maximums. Do not exceed any one of them. Maximums are automatically reduced if the rollshutter is exposed to high winds, must satisfy stringent security requirements or is freestanding, such as in the case of a patio enclosure.

Panel Box Limitations:

Heights shown are guide rail heights (B1). Ensure sufficient room above the guide rails for the rollshutter panel box. In addition, the curtain's bottom profile protrudes approximately 2" (50mm) below the bottom of the panel box when the curtain is fully rolled up. Therefore, measure the rollshutter purposely high enough to clear any opening window or door parts, or tops of counter enclosures.

This chart is intended to be a reference guide only. If you have headroom limitations on site, please contact our Channel Sales team with your site details for an accurate sizing.

SAFE MINI	40 Shaft		60 Shaft		70 Shaft		102 Shaft		40 Shaft		60 Shaft		70 Shaft	
	BI UNIT MEASUREMENT													
Panel Box	BI UNIT MEASUREMENT								BI UNIT MEASUREMENT WHEN USING HANGER LOCKS					
	Inch	Metre	Inch	Metre	Inch	Metre	Inch	Metre	Inch	Metre	Inch	Metre	Inch	Metre
125	20	.53	20	.53	20	.53			20	.53	18	.46		
150	45	1.16	45	1.16	35	.89			45	1.16	42	1.07		
165	59	1.52	59	1.52	53	1.37			59	1.52	50	1.27	42	1.07
180	75	1.91	72	1.83	68	1.75	40	1.04	75	1.91	64	1.63	61	1.56
205	105	2.68	101	2.57	88	2.25	70	1.80	105	2.68	100	2.54	87	2.23
230	138	3.52	125	3.18	125	3.18	103	2.62	138	3.52	125	3.18	124	3.15
250	172	4.37	161	4.10	161	4.10	128	3.26	172	4.37	161	4.10	159	4.06
300	270	6.86	261	6.65	246	6.25	203	5.16	270	6.86	261	6.65	235	5.97

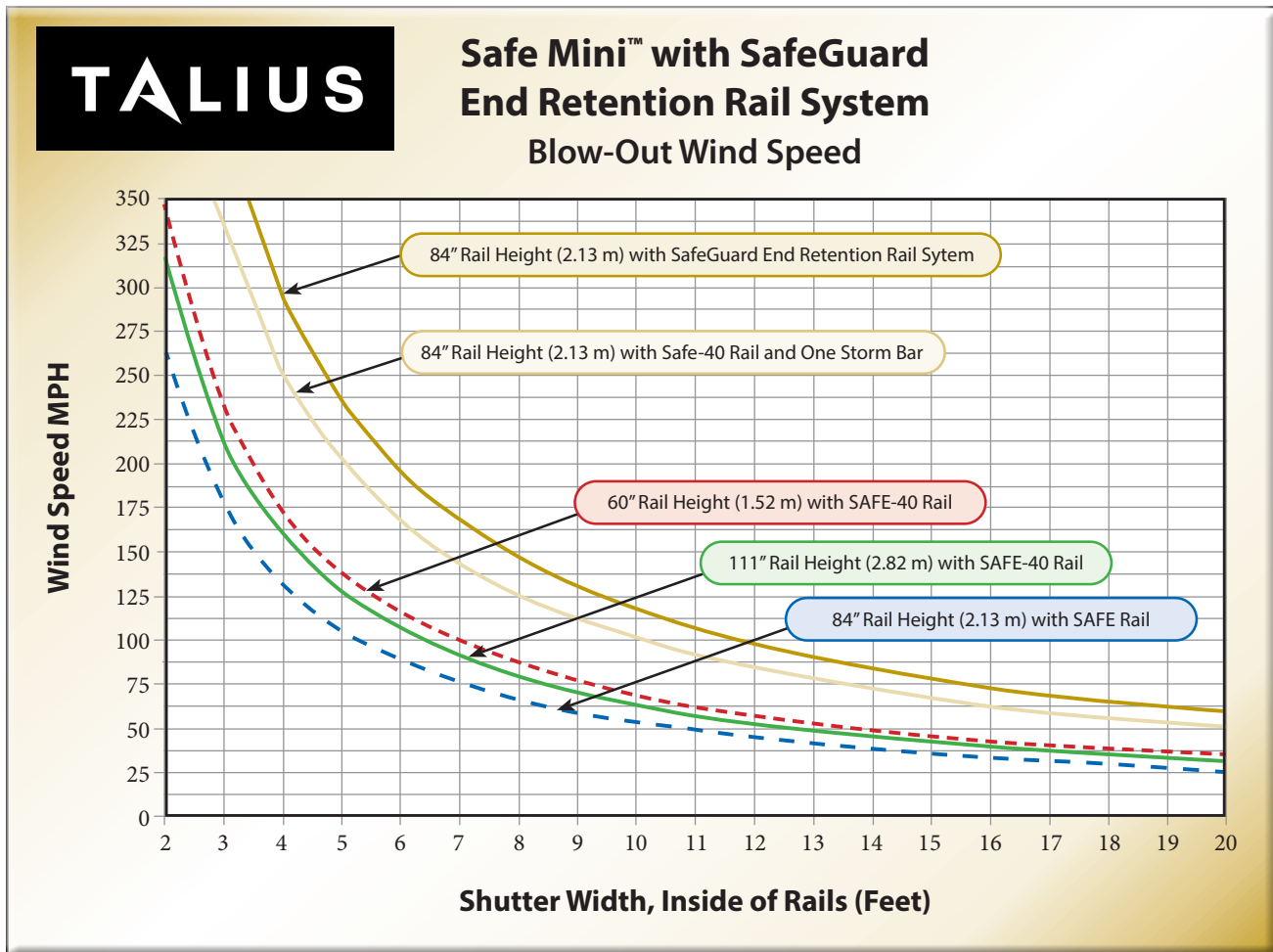
SAFE Mini™ with SafeGuard End Retention Rail System (continued)

Wind Load Information

The graph below shows blow-out wind speed for unprotected, free standing rollshutter curtains. Where rollshutters cover windows and doors you may expect considerably better performance due to the protection offered by the overall wall surface.

Testing was done at the curtain heights stated in the graph. Performance of the actual rollshutter will improve slightly if the application is lower in height than the tested unit. Conversely, performance will decrease slightly if your actual rollshutter is taller than the tested unit.

Before ordering/installing your unit, refer to our recommended fastener schedule at the front of this price book. Ensure that your installation meets the recommended requirements for fastener embedment into a solid backing material. Talius also recommends spacing fasteners every 6" for units susceptible to high winds.



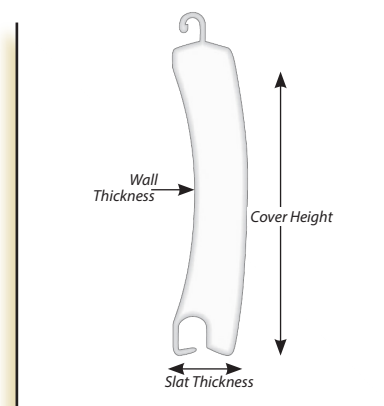
Build-up: Regular Talius build-up can be used however, there is no flange on the SafeGuard Rail for it to slide onto. Where build up is required, Talius recommends using aluminum tubing.

Pricing: Using the pricing charts for SAFE Mini, please add the following:

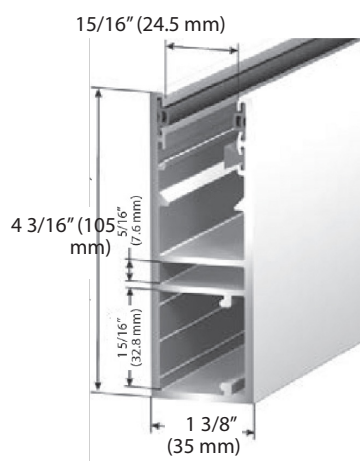
		Price per Inch	Price per Metre
SafeGuard End Retention Rail System	- using B1 measurement, add:	\$ 3.81	\$ 150
Optional Reinforced Bottom Profile	- using A2 measurement, add:	\$ 0.54	\$ 21

■ AG-77

The new AG-77 profile replaces the Talius Shield Standard profile. Made of heavy-duty, roll-formed aluminum with a polyurethane foam core and tough enamel finish, this profile is intended for large openings and superior storm protection. Combined with our GR-105 rail and fitted with side locks that hook inside the guide rails to hold the curtain in alignment, this system has increased strength required for large openings and to provide superior storm protection. A built-in locking mechanism ensures the rollshutter curtain remains secure. This system also features a rolling carriage which shifts forwards or backwards when the curtain is lowered or raised. This feature adjusts as needed to accommodate the roll-up diameter of the rollshutter curtain to ensure smooth operation.



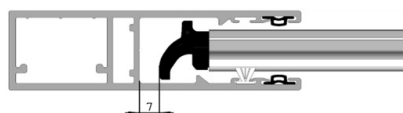
GR-105 Guide Rail



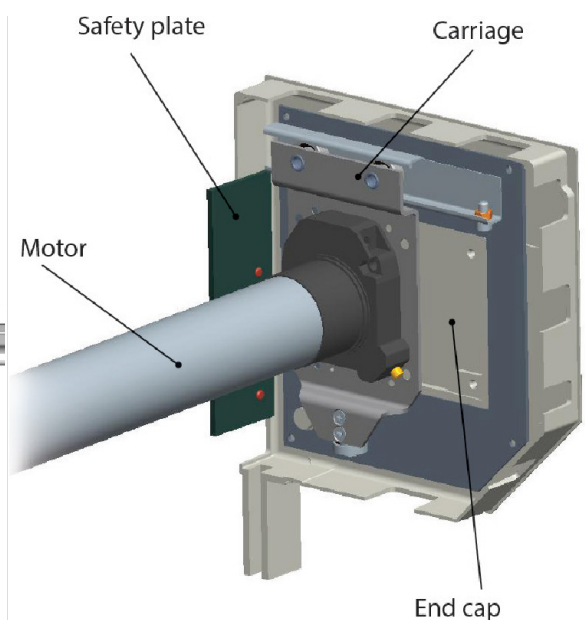
Side Lock



AG-77 Profile, Rail and Side Lock assembly



Rolling Carriage Assembly



AG-77 is not offered in Beige as a standard colour. Custom paint charges apply.

Typical Applications and Solutions

- Residential and commercial medium to high-security applications including window and door protection, storm protection, garage doors, counter enclosures and storage areas, and for rolling door applications.

Specifications:

Cover Height	Slat Thickness	Wall Thickness	Number of Slats per Height	Weight per Area	Finish	Core Material
3"	3/4"	0.0244"	0.33/inch	0.0066 lbs/inch ²	Enamel 0.0020"	Polyurethane Hard Foam
77 mm	19 mm	0.62 mm	13/m	4.64 kg/m ²	Enamel 0.05 mm	

AG-77 (continued)

Size Limitations:

Maximum Width (A2)			Maximum Height (B1)			Maximum Area (A2 x B1)		
Metre	Feet	Inches	Metre	Feet	Inches	Metre ²	Feet ²	Inch ²
With Panel Box 6.5 Without Panel Box 7.0	21.3 22.97	256 275	4.54	14.89	178 3/4	20.0 ₂	215.28 ₂	31,000 ₂



You must comply with the maximum area. Dimensions greater than the Maximum Height may be exceeded with certain restrictions.

Panel Box Limitations

Heights shown are guide rail heights (B1). Ensure sufficient room above the guide rails for the rollshutter panel box. In addition, the curtain's bottom profile protrudes approximately 2" (50 mm) below the bottom of the panel box when the curtain is fully rolled up. Therefore, measure the rollshutter purposely high enough to clear any opening window or door parts, or tops of counter enclosures.

This chart is intended to be a reference guide only. If you have headroom limitations on site, please contact our Channel Sales team with your site details for an accurate sizing.

AG-77	70 Shaft		114 Shaft	
Panel Box	BI MEASUREMENT (Can not be installed with Hanger Locks)			
	Inch	Metre	Inch	Metre
250	66	1.69	42	1.08
300	111	2.84	93	2.38
360	178	4.54	160	4.08



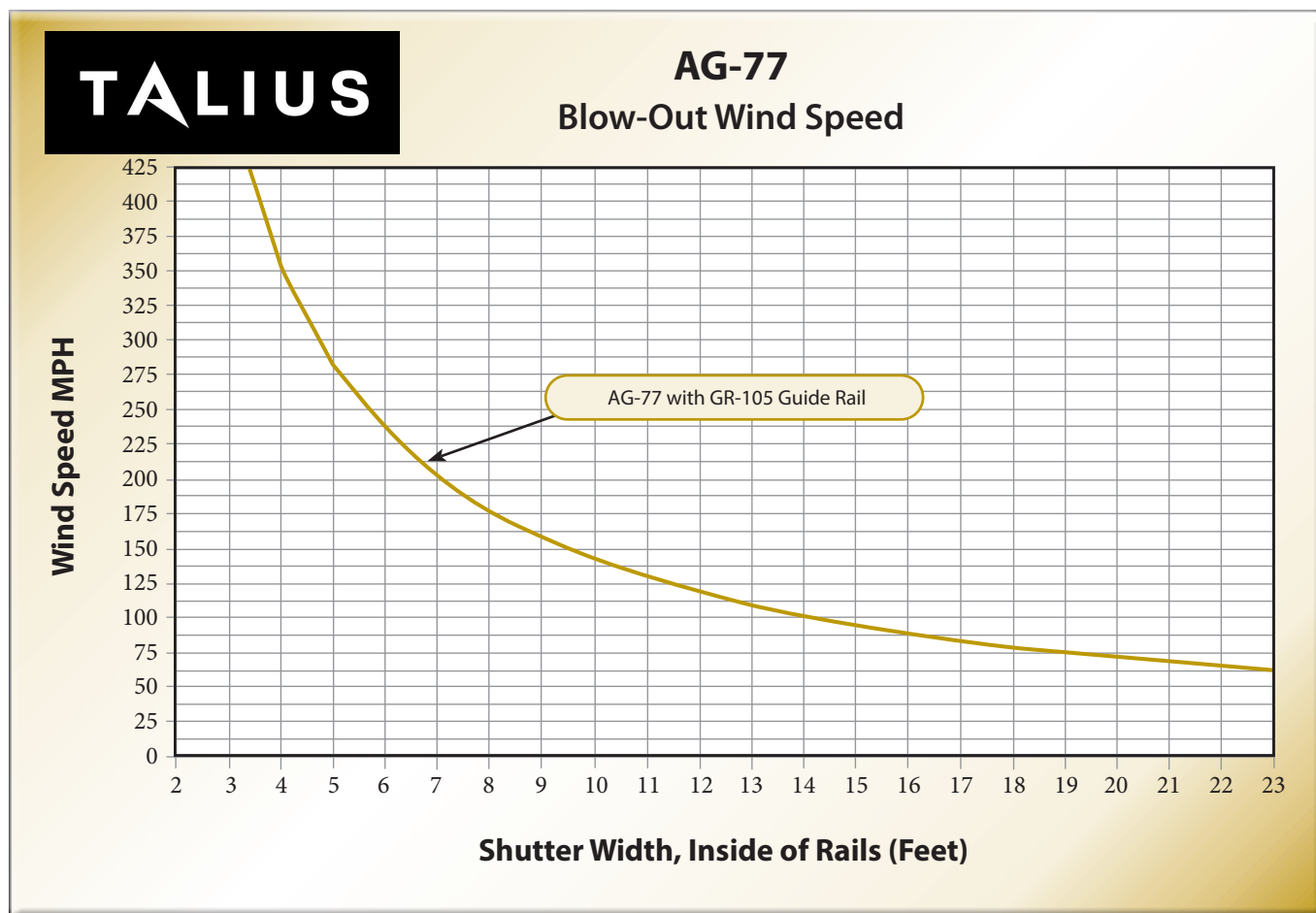
AG-77 features an internal locking mechanism and is not compatible with any other locking device.

AG-77 (continued)**Wind Load Information**

The graph below shows blow-out wind speed for unprotected, free standing rollshutter curtains. Where rollshutters cover windows and doors you may expect considerably better performance due to the protection offered by the overall wall surface.

Testing was done at the curtain heights stated in the graph. Performance of the actual rollshutter will improve slightly if the application is lower in height than the tested unit. Conversely, performance will decrease slightly if your actual rollshutter is taller than the tested unit.

Before ordering/installing your unit, refer to our recommended fastener schedule at the front of this price book. Ensure that your installation meets the recommended requirements for fastener embedment into a solid backing material. Talius also recommends spacing fasteners every 6" for units susceptible to high winds.



AG-77

(continued)

AG-77 Rollshutter Curtain Standard Features

- Extruded aluminum bottom profile
- Precision roll-formed aluminum panel box assembly
- Two extruded aluminum GR-105 guide rails fitted with side locks and weather stripping
- Rolling carriage assembly
- Built-in locking mechanism

Standard Factory Colours:

White, Brown, Black, Silver.
Custom colours are available as a chargeable option.

Minimum Overall Width (A2) required for Manual Override Motor	Inch	cm
Standard Limit Motor	26.5	67
Somfy RTS Motor	34	86

Minimum Overall Width (A2) required	Inch	cm
Manual Operators	20	51
Standard Limit Motor	22	52
Somfy RTS Motor	24	58

Motor Type	Standard Limit Motors				Radio Motors			
	Somfy		Talius		Somfy RTS		Talius RF	
	Regular	Manual Override	Regular	Manual Override	Regular	Manual Override	Regular	Manual Override
A	771	1,280	771	1,280	1,170	1,572	1,170	1,572
B	844	1,315	771	1,280	1,246	1,647	1,170	1,572
C	879	1,532	771	1,280	1,279	1,679	1,170	1,572
D	914	1,532	914	1,532	1,314	1,722	1,314	1,722
E	1,022	1,722	914	1,532	1,531	2,040	1,314	1,722
F	1,280	1,830	914	1,532	1,755	N/A	1,314	1,722

• Standard Limit Motors include 120VAC/60Hz tubular motor with hard wired motor cable and paddle switch (SPDT).

• Somfy RTS Motors include 120VAC/60Hz tubular motor with hard wired motor cable with bare ends, and one standard single channel hand held transmitter.

		Horizontal Scale: Width Including Guide Rails (A2)															
		Inch	20	24	28	32	36	40	44	48	52	56	60	64	68	72	
		Metre	0.51	0.61	0.71	0.81	0.91	1.02	1.12	1.22	1.32	1.42	1.52	1.63	1.73	1.83	
Vertical Scale: Height excluding Panel Box (B1)	2'	20	624	684	740	798	854	912	971	1028	1086	1142	1198	1257	1315	1372	
	24	676	739	802	865	927	990	1052	1116	1179	1240	1304	1366	1429	1493		
	28	725	794	863	931	998	1066	1135	1202	1270	1338	1406	1473	1542	1612		
	32	778	852	926	997	1070	1144	1217	1290	1363	1436	1510	1582	1655	1729		
	36	829	907	985	1064	1142	1219	1298	1377	1456	1533	1613	1692	1770	1850		
	40	879	963	1048	1129	1214	1298	1382	1465	1549	1631	1715	1802	1884	1968		
	44	930	1020	1108	1196	1285	1382	1463	1553	1643	1732	1818	1909	1998	2087		
	48	981	1074	1171	1264	1359	1452	1546	1642	1735	1830	1923	2019	2112	2207		
	52	1031	1130	1230	1331	1430	1528	1628	1726	1829	1928	2026	2126	2224	2326		
	56	1083	1188	1291	1397	1502	1604	1711	1815	1922	2024	2129	2236	2338	2441		
	60	1133	1243	1353	1463	1573	1685	1791	1902	2012	2122	2233	2342	2453	2560		
	64	1185	1302	1414	1531	1646	1760	1876	1991	2106	2220	2337	2452	2567	2681		
	68	1264	1384	1507	1631	1754	1877	1999	2122	2244	2368	2492	2614	2737	2859		
	72	1313	1441	1570	1697	1828	1955	2083	2210	2338	2466	2594	2721	2851	2979		
	76	1366	1499	1631	1765	1898	2030	2164	2297	2431	2565	2695	2831	2963	3097		
	80	1414	1554	1692	1832	1969	2108	2246	2384	2524	2661	2800	2937	3077	3216		
	84	1468	1612	1754	1898	2041	2186	2330	2473	2617	2761	2903	3047	3192	3336		
	88	1518	1667	1815	1964	2114	2263	2411	2559	2711	2859	3006	3154	3306	3454		
	92	1663	1829	1991	2155	2318	2485	2649	2813	2979	3143	3307	3471	3637	3799		
	96	1714	1881	2053	2222	2393	2560	2733	2902	3069	3241	3410	3580	3748	3920		
100	1765	1939	2115	2288	2464	2639	2813	2988	3164	3339	3514	3688	3863	4036			
104	1815	1996	2176	2357	2535	2716	2898	3077	3258	3436	3616	3797	3977	4155			
108	1866	2051	2237	2424	2609	2793	2979	3164	3348	3534	3718	3904	4091	4276			
112	1917	2108	2297	2488	2679	2869	3060	3250	3441	3632	3823	4014	4205	4395			
116	1968	2164	2360	2555	2750	2948	3144	3339	3534	3733	3926	4123	4317	4514			
120	2020	2219	2423	2622	2823	3024	3225	3426	3627	3831	4030	4233	4431	4634			
124	2070	2275	2483	2689	2895	3101	3307	3514	3721	3926	4133	4340	4546	4751			
128	2121	2332	2545	2755	2966	3178	3391	3600	3812	4025	4238	4450	4660	4870			
132	2172	2389	2605	2821	3038	3255	3472	3689	3907	4123	4340	4557	4773	4990			
136	2222	2445	2668	2889	3110	3332	3555	3776	3998	4221	4442	4667	4888	5109			
140	2273	2500	2727	2956	3182	3408	3639	3865	4091	4317	4548	4773	5000	5228			
144	2326	2556	2788	3022	3254	3487	3718	3952	4185	4417	4649	4883	5114	5346			
148	2375	2614	2851	3089	3327	3564	3801	4040	4276	4515	4751	4990	5228	5465			
152	2427	2669	2911	3154	3398	3641	3886	4125	4370	4614	4857	5100	5342	5584			
156	2475	2724	2974	3221	3470	3717	3966	4215	4463	4711	4959	5207	5456	5704			
160	2528	2782	3034	3287	3542	3794	4048	4301	4554	4809	5062	5316	5571	5823			
164	2579	2837	3095	3355	3614	3871	4130	4391	4649	4906	5167	5426	5682	5942			
168	2629	2893	3156	3421	3687	3951	4213	4477	4740	5007	5269	5532	5796	6060			
172	2705	2963	3206	3459	3702	3955	4230	4490	4792	5041	5283	5561	5819	6082			
176	2781	3046	3296	3556	3805	4065	4325	4580	4839	5089	5339	5598	5858	6113			
180	2857	3122	3392	3657	3918	4187	4448	4717	4982	5243	5513	5773	6043	6312			
184	2934	3210	3491	3767	4039	4315	4591	4862	5139	5415	5691	5962	6239	6523			
188	3011	3296	3581	3858	4139	4428	4708	4989	5274	5554	5839	6120	6400	6685			
192	3085	3375	3666	3960	4251	4538	4833	5123	5418	5705	6004	6299	6589	6884			
196	3162	3462	3767	4059	4364	4669	4969	5266	5571	5863	6168	6481	6773	7078			
200	3238	3552	3859	4166	4476	4814	5098	5408	5723	6033	6332	6650	6960	7270			
204	3314	3629	3956	4272	4592	4908	5223	5547	5862	6182	6498	6822	7137	7457			
208	3390	3715	4044	4376	4702	5024	5353	5675	6012	6338	6660	6989	7311	7648			
212	3469	3808	4135	4477	4812	5140	5482	5816	6158	6486	6820	7163	7490	7821			
216	3542	3887	4231	4575	4920	5267	5601	5948	6292	6637	6984	7325	7673				
220	3619	3976	4319	4675	5029	5378	5731	6085	6434	6784	7141	7494	7843				
224	3692	4042	4402	4761	5121	5481	5837	6197	6553	6913	7276	7632	7992				
228	3771	4141	4510	4873	5250	5616	5982	6349	6715	7081	7451	7814					
232	3847	4222	4594	4972	5348	5719	6098	6473	6851	7226	7595	7977					
236	3923	4310	4695	5082	5464	5849	6231	6616	7003	7385	7770	8151					
240	3998	4391	4777	5169	5559	5955	6347	6737	7130	7522	7908	8301					

AG-77

(continued)

AG-77 Rollshutter Curtain Standard Features

- Extruded aluminum bottom profile
- Precision roll-formed aluminum panel box assembly
- Two extruded aluminum GR-105 guide rails fitted with side locks and weather stripping
- Rolling carriage assembly
- Built-in locking mechanism

Standard Factory Colours:

White, Brown, Black, Silver.
Custom colours are available as a chargeable option.

Minimum Overall Width (A2) required for Manual Override Motor	Inch	cm
Standard Limit Motor	26.5	67
Somfy RTS Motor	34	86

Minimum Overall Width (A2) required	Inch	cm
Manual Operators	20	51
Standard Limit Motor	22	52
Somfy RTS Motor	24	58

Motor Type	Standard Limit Motors				Radio Motors			
	Somfy		Talius		Somfy RTS		Talius RF	
	Regular	Manual Override	Regular	Manual Override	Regular	Manual Override	Regular	Manual Override
A	771	1,280	771	1,280	1,170	1,572	1,170	1,572
B	844	1,315	771	1,280	1,246	1,647	1,170	1,572
C	879	1,532	771	1,280	1,279	1,679	1,170	1,572
D	914	1,532	914	1,532	1,314	1,722	1,314	1,722
E	1,022	1,722	914	1,532	1,531	2,040	1,314	1,722
F	1,280	1,830	914	1,532	1,755	N/A	1,314	1,722

• Standard Limit Motors include 120VAC/60Hz tubular motor with hard wired motor cable and paddle switch (SPDT).

• Somfy RTS Motors include 120VAC/60Hz tubular motor with hard wired motor cable with bare ends, and one standard single channel hand held transmitter.

		Horizontal Scale: Width Including Guide Rails (A2)														
Feet		Inch	76	80	84	88	92	96	100	104	108	112	116	120	124	128
		Metre	1.93	2.03	2.13	2.24	2.34	2.44	2.54	2.64	2.74	2.84	2.95	3.05	3.15	3.25
Vertical Scale: Height excluding Panel Box (B1)	2'	20	1430	1487	1546	1601	1660	1718	1774	1833	1889	1947	2004	2063	2119	2177
		24	1554	1617	1679	1743	1807	1867	1931	1994	2055	2119	2181	2243	2307	2369
		28	1679	1745	1813	1881	1952	2019	2087	2154	2222	2288	2359	2427	2494	2560
		32	1803	1876	1951	2023	2096	2169	2241	2314	2389	2461	2534	2609	2681	2754
	3'	36	1928	2006	2084	2163	2241	2318	2398	2475	2555	2632	2712	2789	2868	2948
		40	2051	2134	2218	2304	2386	2470	2554	2638	2720	2804	2889	2972	3055	3140
		44	2174	2265	2352	2440	2530	2620	2709	2798	2887	2975	3064	3153	3242	3331
	4'	48	2299	2393	2488	2581	2677	2770	2865	2958	3052	3148	3241	3336	3429	3525
		52	2424	2524	2623	2721	2821	2921	3021	3119	3218	3318	3417	3518	3616	3716
		56	2549	2653	2757	2862	2966	3073	3175	3281	3386	3489	3594	3700	3805	3908
	5'	60	2672	2782	2891	3001	3113	3221	3332	3440	3551	3661	3771	3881	3990	4102
		64	2797	2911	3027	3143	3258	3372	3487	3603	3717	3833	3949	4062	4178	4294
		68	2983	3106	3226	3351	3472	3595	3718	3841	3964	4086	4210	4332	4455	4579
	6'	72	3106	3234	3362	3491	3618	3746	3875	4002	4129	4260	4387	4514	4642	4770
		76	3232	3364	3497	3629	3764	3896	4030	4164	4297	4430	4562	4696	4829	4961
		80	3355	3493	3629	3769	3908	4047	4185	4323	4461	4601	4739	4877	5015	5154
	7'	84	3480	3623	3767	3909	4053	4198	4341	4485	4628	4772	4916	5058	5203	5346
		88	3603	3751	3901	4050	4198	4347	4497	4646	4795	4944	5092	5243	5392	5540
		92	3964	4129	4294	4459	4622	4788	4952	5117	5278	5444	5608	5772	5937	6102
	8'	96	4089	4260	4429	4596	4768	4936	5108	5275	5445	5617	5786	5956	6124	6294
	100	4213	4388	4562	4738	4913	5087	5263	5437	5613	5788	5961	6136	6312	6487	
	104	4337	4516	4697	4877	5057	5238	5418	5599	5778	5958	6140	6319	6499	6679	
9'	108	4461	4647	4833	5016	5202	5388	5575	5761	5945	6131	6317	6500	6684	6870	
	112	4584	4777	4966	5156	5346	5540	5729	5920	6110	6301	6492	6682	6871	7065	
	116	4711	4905	5103	5297	5492	5690	5885	6081	6276	6474	6670	6864	7060	7256	
10'	120	4834	5035	5236	5437	5639	5839	6039	6242	6444	6644	6847	7047	7247	7447	
	124	4959	5165	5371	5579	5783	5990	6198	6402	6609	6817	7022	7227	7434	7641	
	128	5082	5295	5507	5718	5928	6141	6352	6563	6775	6988	7198	7411	7621	7834	
11'	132	5207	5426	5642	5857	6075	6291	6508	6725	6941	7158	7374	7592	7808	8025	
	136	5332	5553	5774	5997	6218	6442	6665	6886	7108	7331	7552	7773	7994	8219	
	140	5456	5682	5911	6136	6365	6593	6819	7047	7273	7502	7728	7956	8181	8411	
12'	144	5580	5812	6046	6276	6510	6742	6976	7208	7441	7672	7906	8137	8370	8604	
	148	5703	5942	6179	6417	6654	6892	7132	7367	7607	7845	8082	8320	8557	8795	
	152	5829	6072	6313	6556	6801	7043	7287	7530	7772	8015	8260	8502	8744	8987	
13'	156	5953	6200	6450	6698	6946	7193	7442	7692	7939	8188	8434	8682	8931	9179	
	160	6077	6331	6584	6837	7091	7345	7599	7850	8104	8358	8610	8864	9118	9372	
	164	6200	6459	6718	6979	7237	7494	7753	8012	8270	8530	8788	9047	9304	9564	
14'	168	6325	6588	6852	7116	7383	7645	7909	8172	8439	8613	8912	9137	9382	9649	
	172	6340	6602	6859	7123	7391	7648	7920	8206	8451	8646	8927	9192	9442	9674	
	176	6373	6622	6888	7133	7398	7653	8025	8250	8528	8677	8993	9228	9468	9701	
15'	180	6569	6838	7099	7368	7638	7894	8164	8429	8689	8959	9220	9489	9754	10015	
	184	6795	7062	7339	7615	7900	8171	8447	8719	8995	9262	9547	9823	10095	10362	
	188	6974	7255	7544	7825	8105	8386	8666	8947	9236	9517	9797	10086	10367	10647	
16'	192	7175	7465	7755	8050	8341	8628	8927	9214	9509	9796	10095	10382	10677	10976	
	196	7375	7675	7975	8285	8582	8882	9182	9487	9797	10084	10389	10686	10986	11291	
	200	7573	7891	8193	8500	8815	9125	9435	9745	10056	10362	10673	10983	11293	11603	
17'	204	5.18														
	208	5.28														
	212	5.38														
18'	216	5.49														
	220	5.59														
	224	5.69														
19'	228	5.79														
	232	5.89														
	236	5.99														
20'	240	6.10														

AG-77

(continued)

AG-77 Rollshutter Curtain Standard Features

- Extruded aluminum bottom profile
- Precision roll-formed aluminum panel box assembly
- Two extruded aluminum GR-105 guide rails fitted with side locks and weather stripping
- Rolling carriage assembly
- Built-in locking mechanism

Standard Factory Colours:

White, Brown, Black, Silver.
Custom colours are available as a chargeable option.

Minimum Overall Width (A2) required for Manual Override Motor	Inch	cm
Standard Limit Motor	26.5	67
Somfy RTS Motor	34	86

Minimum Overall Width (A2) required	Inch	cm
Manual Operators	20	51
Standard Limit Motor	22	52
Somfy RTS Motor	24	58

Motor Type	Standard Limit Motors				Radio Motors			
	Somfy		Talius		Somfy RTS		Talius RF	
	Regular	Manual Override	Regular	Manual Override	Regular	Manual Override	Regular	Manual Override
A	771	1,280	771	1,280	1,170	1,572	1,170	1,572
B	844	1,315	771	1,280	1,246	1,647	1,170	1,572
C	878	1,532	771	1,280	1,279	1,679	1,170	1,572
D	914	1,532	914	1,532	1,314	1,722	1,314	1,722
E	1,022	1,722	914	1,532	1,531	2,040	1,314	1,722
F	1,280	1,830	914	1,532	1,755	N/A	1,314	1,722

• Standard Limit Motors include 120VAC/60Hz tubular motor with hard wired motor cable and paddle switch (SPDT).

• Somfy RTS Motors include 120VAC/60Hz tubular motor with hard wired motor cable with bare ends, and one standard single channel hand held transmitter.

		Horizontal Scale: Width Including Guide Rails (A2)														
Feet		Inch	11'	12'	13'	14'	15'	16'	17'	18'	19'	20'	21'	22'	23'	24'
Metre			3.35	3.45	3.56	3.66	3.76	3.86	3.96	4.06	4.17	4.27	4.37	4.47	4.57	4.67
Vertical Scale: Height excluding Panel Box (B1)	2'	20	2236	2293	2843	2908	2975	3042	3106	3173	3238	3305	3369	3436	3501	3566
		24	2431	2495	3052	3122	3194	3264	3336	3406	3479	3548	3619	3691	3762	3833
		28	2629	2699	3260	3336	3412	3487	3564	3641	3716	3793	3869	3943	4022	4098
		32	2827	2901	3467	3550	3629	3712	3793	3875	3956	4036	4120	4200	4282	4363
	3'	36	3025	3105	3676	3764	3848	3936	4023	4109	4197	4283	4367	4455	4543	4628
		40	3221	3306	3883	3977	4068	4160	4251	4342	4435	4527	4619	4711	4804	4895
		44	3421	3509	4091	4188	4286	4384	4481	4578	4675	4772	4868	4965	5063	5163
	4'	48	3618	3713	4299	4402	4505	4607	4710	4812	4914	5016	5119	5220	5324	5427
		52	3815	3915	4509	4616	4723	4832	4938	5046	5154	5262	5368	5477	5584	5693
		56	4013	4119	4715	4829	4941	5054	5168	5282	5393	5507	5619	5731	5844	5958
	5'	60	4210	4320	4925	5044	5163	5277	5396	5515	5634	5750	5869	5987	6105	6224
		64	4408	4524	5133	5257	5381	5503	5626	5749	5872	5995	6119	6242	6365	6488
		68	4701	4824	5439	5572	5702	5834	5962	6094	6225	6357	6488	6619	6750	6882
	6'	72	4900	5025	5648	5786	5920	6056	6195	6330	6465	6603	6738	6873	7011	7146
		76	5096	5229	5857	5997	6140	6279	6421	6563	6705	6847	6988	7130	7271	7413
		80	5293	5432	6063	6211	6357	6505	6650	6797	6945	7091	7238	7386	7532	7678
	7'	84	5491	5635	6272	6424	6576	6728	6882	7034	7183	7336	7488	7641	7792	7944
		88	5689	5838	6481	6637	6794	6954	7109	7267	7422	7582	7739	7895	8052	8208
		92	6267	6431	7089	7263	7434	7607	7779	7952	8126	8297	8470	8643	8817	8987
	8'	96	6463	6633	7297	7476	7653	7831	8010	8188	8364	8542	8722	8897	9077	9254
	100	6663	6836	7506	7689	7871	8054	8237	8421	8605	8788	8970	9154	9336	9520	
	104	6860	7039	7714	7902	8089	8278	8468	8655	8843	9033	9221	9410	9598	9787	
9'	108	7056	7243	7922	8114	8309	8503	8697	8890	9083	9276	9470	9663	9858	10051	
	112	7255	7445	8129	8326	8528	8727	8924	9124	9322	9521	9721	9919	10116	10318	
	116	7452	7649	8337	8541	8745	8949	9154	9359	9563	9766	9971	10174	10378	10582	
10'	120	7650	7850	8546	8754	8964	9173	9385	9592	9801	10010	10222	10430	10639	10849	
	124	7847	8054	8753	8969	9182	9396	9611	9827	10040	10256	10470	10685	10900	11113	
	128	8046	8256	8961	9181	9401	9622	9841	10061	10281	10502	10721	10940	11160	11380	
11'	132	8243	8459	9170	9394	9622	9847	10069	10294	10519	10746	10970	11196	11421	11695	
	136	8440	8663	9378	9609	9840	10069	10299	10531	10760	10989	11222	11477	11703	11931	
	140	8638	8864	9585	9821	10059	10293	10530	10764	10998	11235	11539	11772	12007	12238	
12'	144	8835	9068	9794	10035	10277	10515	10756	10998	11239	11539	11781	12021	12263	12500	
	148	9034	9270	10004	10248	10494	10740	10986	11231	11539	11785	12034	12276	12523	12767	
	152	9229	9474	10208	10460	10713	10964	11217	11539	11791	12043	12292	12543	12794	13045	
13'	156	9429	9675	10417	10675	10933	11187	11508	11762	12017	12274	12530	12787	13043	13300	
	160	9627	9878	10628	10888	11151	11477	11738	11998	12259	12519	12782	13042	13304	13566	
	164	9823	10082	10835	11103	11477	11745	12010	12279	12546	12814	13083	13350	13615	13887	
14'	168	10019	10174	11041	11383	11656	11927	12200	12474	12745	13017	13289	13560	13832	14104	
	172	10071	10216	12329	12611	12902	13194	13471	13763	14044	14336	14613	14904			
	176	10157	10304	12667	12956	13255	13555	13838	14138	14427	14726	15010	15309			
15'	180	10280	10549	12903	13202	13504	13802	14105	14403	14710	15002	15305				
	184	10643	10923	13195	13502	13809	14116	14427	14738	15041	15352					
	188	10932	11217	13404	13727	14033	14352	14667	14981	15296						
16'	192	11263	11558	13683	14011	14327	14655	14978	15297							
	196	11583	11888	13965	14302	14630	14959	15288								
	200	11918	12225	14252	14590	14931	15272									
17'	204	5.18														
	208	5.28														
	212	5.38														
18'	216	5.49														
	220	5.59														
	224	5.69														
19'	228	5.79														
	232	5.89														
	236	5.99														
20'	240	6.10														

AG-77 (continued)

Standard Features

- AG-77 Rollshutter Curtain
- Extruded aluminum bottom profile
- Precision roll-formed aluminum panel box assembly
- Two extruded aluminum GR-105 guide rails fitted with side locks and weather stripping
- Rolling carriage assembly
- Built-in locking mechanism

Standard Factory Colours:

White, Brown, Black, Silver.
Custom colours are available as a chargeable option.

Minimum Overall Width (A2) required for Manual Override Motor	Inch	cm
Standard Limit Motor	26.5	67
Somfy RTS Motor	34	86

Minimum Overall Width (A2) required	Inch	cm
Manual Operators	20	51
Standard Limit Motor	22	52
Somfy RTS Motor	24	58

Motor Type	Standard Limit Motors				Radio Motors			
	Somfy		Talus		Somfy RTS		Talus RF	
	Regular	Manual Override	Regular	Manual Override	Regular	Manual Override	Regular	Manual Override
A	771	1,280	771	1,280	1,170	1,572	1,170	1,572
B	844	1,315	771	1,280	1,246	1,647	1,170	1,572
C	879	1,532	771	1,280	1,279	1,679	1,170	1,572
D	914	1,532	914	1,532	1,314	1,722	1,314	1,722
E	1,022	1,722	914	1,532	1,531	2,040	1,314	1,722
F	1,280	1,830	914	1,532	1,755	N/A	1,314	1,722

- Standard Limit Motors include 120VAC/60Hz tubular motor with hard wired motor cable and paddle switch (SPDT).
- Somfy RTS Motors include 120VAC/60Hz tubular motor with hard wired motor cable with bare ends, and one standard single channel hand held transmitter.

		Horizontal Scale: Width Including Guide Rails (A2)															
Feet				16'	17'	18'	19'	20'									
Inch				188	192	196	200	204	208	212	216	220	224	228	232	236	240
Metre				4.78	4.88	4.98	5.08	5.18	5.28	5.38	5.49	5.59	5.69	5.79	5.89	5.99	6.10
Vertical Scale: Height excluding Panel Box (B1)	2'	20	0.51	3632	3699	3765	3831	3894	3960	4026	4094	4159	4226	4293	4362	4432	4503
	24	0.61	3903	3975	4045	4117	4187	4260	4329	4400	4471	4542	4615	4689	4764	4840	
	28	0.71	4175	4249	4328	4404	4480	4554	4633	4706	4782	4858	4936	5015	5095	5177	
	32	0.81	4446	4527	4608	4689	4770	4854	4934	5015	5096	5177	5260	5344	5430	5517	
	36	0.91	4715	4802	4889	4977	5062	5148	5236	5322	5407	5494	5582	5671	5762	5854	
	40	1.02	4987	5079	5172	5263	5355	5445	5538	5631	5721	5813	5906	6001	6097	6194	
	44	1.12	5258	5355	5453	5550	5647	5742	5841	5937	6032	6129	6227	6326	6428	6530	
	48	1.22	5529	5631	5734	5837	5937	6042	6144	6245	6345	6447	6550	6655	6761	6869	
	52	1.32	5800	5907	6015	6123	6230	6339	6445	6554	6659	6766	6874	6984	7096	7209	
	56	1.42	6071	6182	6297	6410	6522	6636	6747	6861	6971	7082	7196	7311	7428	7547	
	60	1.52	6342	6461	6577	6696	6815	6933	7051	7170	7285	7402	7520	7640	7763	7887	
	64	1.63	6611	6737	6860	6983	7106	7230	7353	7477	7597	7718	7842	7967	8095	8224	
	68	1.73	7013	7144	7274	7405	7537	7667	7798	7929	8056	8185	8316	8449	8584	8722	
	72	1.83	7285	7420	7554	7693	7828	7963	8101	8237	8369	8503	8639	8777	8918	9060	
	76	1.93	7554	7696	7837	7980	8121	8263	8402	8544	8681	8820	8961	9104	9250	9398	
	80	2.03	7825	7972	8118	8266	8413	8558	8706	8852	8994	9138	9284	9432	9583	9737	
	84	2.13	8096	8247	8400	8553	8704	8857	9008	9160	9307	9456	9607	9761	9917	10075	
	88	2.24	8367	8524	8681	8838	8995	9154	9312	9467	9619	9772	9929	10088	10249	10413	
	92	2.34	9161	9334	9508	9688	9852	10025	10197	10370	10536	10705	10876	11050	11227	11406	
	96	2.44	9432	9610	9788	9966	10145	10322	10501	10678	10849	11023	11199	11378	11560	11745	
100	2.54	9704	9886	10069	10252	10437	10617	10801	10985	11161	11339	11521	11705	11892	12083		
104	2.64	9974	10162	10351	10540	10728	10917	11104	11292	11473	11656	11843	12032	12225	12420		
108	2.74	10246	10438	10632	10827	11019	11214	11409	11601	11787	11975	12167	12362	12559	12760		
112	2.84	10515	10717	10914	11112	11313	11511	11708	11913	12104	12298	12495	12694	12898	13104		
116	2.95	10787	10991	11196	11400	11604	11788	12007	12210	12405	12604	12805	13010	13219	13430		
120	3.05	11059	11267	11478	11695	11903	12110	12317	12523	12724	12927	13134	13344	13558	13775		
124	3.15	11328	11555	11764	11980	12190	12401	12615	12828	13033	13241	13453	13669	13887	14109		
128	3.25	11618	11836	12052	12272	12489	12707	12922	13140	13350	13564	13781	14001	14226	14453		
132	3.35	11917	12142	12365	12589	12814	13035	13259	13482	13698	13917	14140	14366				
136	3.45	12161	12387	12617	12846	13073	13302	13531	13759	13979	14202	14430					
140	3.56	12476	12711	12944	13178	13413	13649	13885	14116	14342							
144	3.66	12742	12982	13224	13475	13703	13943	14183									
148	3.76	13013	13259	13505	13751	13997	14241										
152	3.86	13297	13547	13798	14049	14303											
156	3.96	13554	13810	14067													
160	4.06	13828	14088														
164	4.17	14152															
168	4.27																
172	4.37																
176	4.47																
180	4.57																
184	4.67																
188	4.78																
192	4.88																
196	4.98																
200	5.08																
204	5.18																
208	5.28																
212	5.38																
216	5.49																
220	5.59																
224	5.69																
228	5.79																
232	5.89																
236	5.99																
240	6.10																

AG-77 (continued)

Standard Features

- AG-77 Rollshutter Curtain
- Extruded aluminum bottom profile
- Precision roll-formed aluminum panel box assembly
- Two extruded aluminum GR-105 guide rails fitted with side locks and weather stripping
- Rolling carriage assembly
- Built-in locking mechanism

Standard Factory Colours:

White, Brown, Black, Silver.
Custom colours are available as a chargeable option.

Minimum Overall Width (A2) required for Manual Override Motor	Inch	cm
Standard Limit Motor	26.5	67
Somfy RTS Motor	34	86

Minimum Overall Width (A2) required	Inch	cm
Manual Operators	20	51
Standard Limit Motor	22	52
Somfy RTS Motor	24	58

Motor Type	Standard Limit Motors				Radio Motors			
	Somfy		Talius		Somfy RTS		Talius RF	
	Regular	Manual Override	Regular	Manual Override	Regular	Manual Override	Regular	Manual Override
A	771	1,280	771	1,280	1,170	1,572	1,170	1,572
B	844	1,315	771	1,280	1,246	1,647	1,170	1,572
C	879	1,532	771	1,280	1,279	1,679	1,170	1,572
D	914	1,532	914	1,532	1,314	1,722	1,314	1,722
E	1,022	1,722	914	1,532	1,531	2,040	1,314	1,722
F	1,280	1,830	914	1,532	1,755	N/A	1,314	1,722

• Standard Limit Motors include 120VAC/60Hz tubular motor with hard wired motor cable and paddle switch (SPDT).

• Somfy RTS Motors include 120VAC/60Hz tubular motor with hard wired motor cable with bare ends, and one standard single channel hand held transmitter.

Horizontal Scale: Width Including Guide Rails (A2)

Feet	Inch	Metre	Horizontal Scale: Width Including Guide Rails (A2)								
			244	248	252	256	260	264	268	272	276
			6.20	6.30	6.40	6.50	6.60	6.71	6.81	6.91	7.00
2'	20	0.51	4575	4648	4722	4798	4874	4952	5032	5112	5194
	24	0.61	4918	4996	5076	5157	5240	5324	5409	5495	5583
	28	0.71	5259	5343	5429	5516	5604	5694	5785	5877	5971
	32	0.81	5605	5694	5786	5878	5972	6068	6165	6263	6364
3'	36	0.91	5948	6043	6140	6238	6338	6439	6542	6647	6753
	40	1.02	6293	6394	6496	6600	6706	6813	6922	7033	7145
	44	1.12	6635	6741	6849	6958	7070	7183	7298	7415	7533
	48	1.22	6979	7091	7204	7319	7437	7556	7676	7799	7924
4'	52	1.32	7325	7442	7561	7682	7805	7929	8056	8185	8316
	56	1.42	7667	7790	7915	8041	8170	8301	8434	8569	8706
	60	1.52	8013	8141	8271	8404	8538	8675	8814	8955	9098
	64	1.63	8356	8490	8625	8763	8904	9046	9191	9338	9487
5'	68	1.73	8861	9003	9147	9293	9442	9593	9746	9902	10061
	72	1.83	9205	9353	9502	9654	9809	9966	10125	10287	10452
	76	1.93	9548	9701	9856	10014	10174	10337	10502	10670	10841
	80	2.03	9892	10051	10212	10375	10541	10710	10881	11055	11232
6'	84	2.13	10237	10400	10567	10736	10908	11082	11259	11440	11623
	88	2.24	10580	10749	10921	11096	11273	11453	11637	11823	12012
	92	2.34	11589	11774	11963	12154	12349	12546	12747	12951	13158
	96	2.44	11933	12124	12318	12515	12715	12919	13125	13335	13549
7'	100	2.54	12276	12472	12672	12875	13081	13290	13503	13719	13938
	104	2.64	12619	12821	13026	13234	13446	13661	13880	14102	14328
	108	2.74	12964	13172	13383	13597	13814	14035	14260	14488	14720
	112	2.84	13314	13527	13743	13963	14186	14413	14644	14878	15116
8'	116	2.95	13645	13863	14085	14310	14539	14772			
	120	3.05	13995	14219	14446	14678					
	124	3.15	14335	14565							
	128	3.25									
9'	132	3.35									
	136	3.45									
	140	3.56									
	144	3.66									
10'	148	3.76									
	152	3.86									
	156	3.96									
	160	4.06									
11'	164	4.17									
	168	4.27									
	172	4.37									
	176	4.47									
12'	180	4.57									
	184	4.67									
	188	4.78									
	192	4.88									
13'	196	4.98									
	200	5.08									
	204	5.18									
	208	5.28									
14'	212	5.38									
	216	5.49									
	220	5.59									
	224	5.69									
15'	228	5.79									
	232	5.89									
	236	5.99									
	240	6.10									

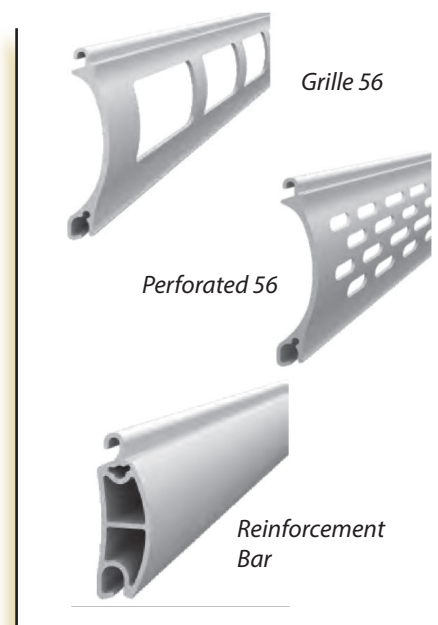
■ SAFE View

SAFE View Rollshutters are available with your choice of extruded aluminum grille or perforated profiles, allowing for security as well as light transmission, ventilation and visibility. SAFE View Grille 56 rollshutters offer 42% light transmission and SAFE View Perforated 56 rollshutters offer 29% light transmission. Features roll carriage assembly to ensure smooth operation for the life of the unit.

Solid and secure, environmentally friendly and lightweight aluminum grilles and perforated slats are more resistant to corrosion, rain and fluctuations in temperature compared to steel product solutions.

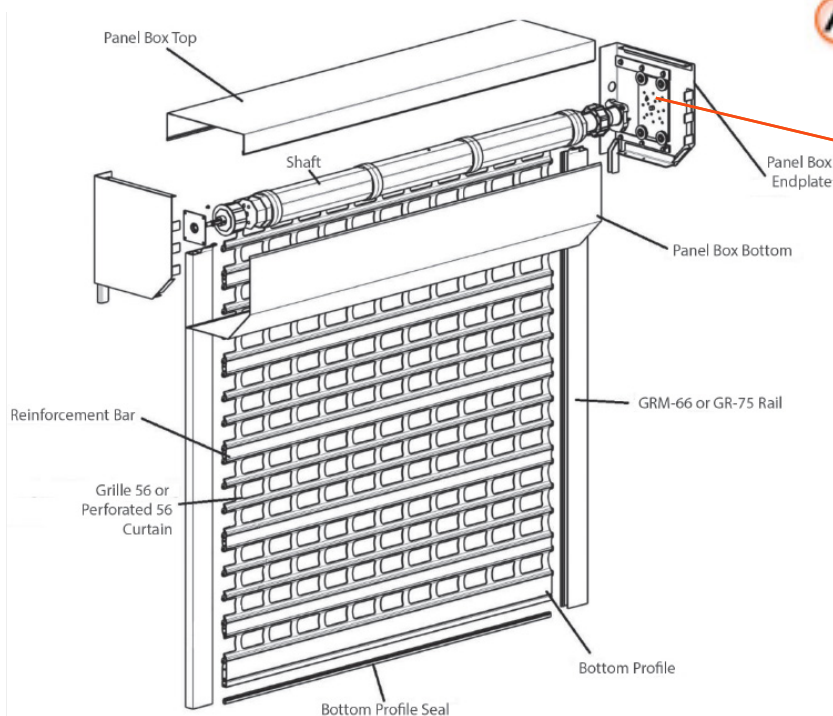
Typical Applications and Solutions

- Stylish appearance harmoniously suits any building architecture, store fronts, small shops, counter enclosures and the interior of modern shopping centres.
- Perfect for shop front windows to allow for 24 hour visibility.



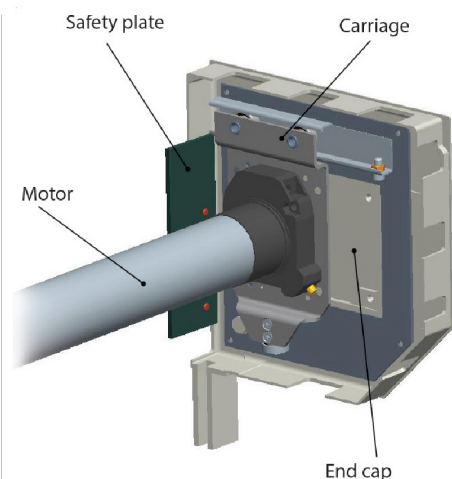
Specifications

Profile Type	Cover Width	Slat Thickness	Hole Shape	Hole Width	Hole Height	Hole Spacing	Finish
Grille 56	2 3/16"	1/2" 13.5	Rectangle	3 1/8"	1 3/16"	3/4"	Powdered Polymer Polyester
	56 mm	mm		80 mm	30 mm	20 mm	
Perforated 56	2 3/16"	1/2" 13.5	Oval	9/16"	1/4"	3/16"	
	56 mm	mm		15 mm	6 mm	5 mm	
Reinforcement Bar	1 3/16"	1/2"	N/A	N/A	N/A	N/A	
	30 mm	13.5 mm		N/A	N/A	N/A	



SAFE View is only available in Silver

Rolling Carriage Assembly

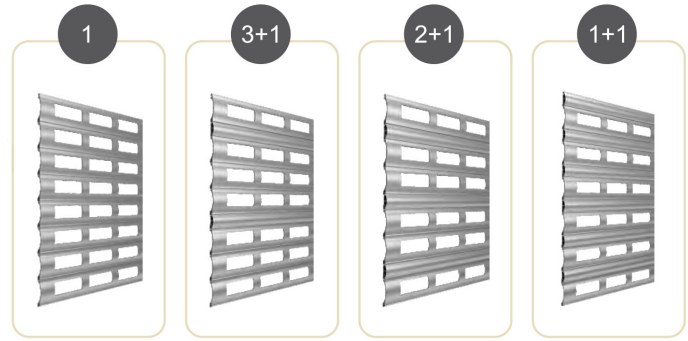


SAFE View (continued)

Size Limitations

The SAFE View Grille 56 and SAFE View Perforated 56 have an additional profile called a "Reinforcement Bar". The reinforcement bar can be added in different combinations to both Grille and Perforated curtains to allow for larger curtain areas. Please see combination options below

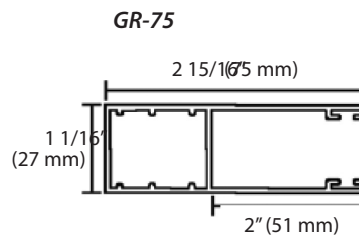
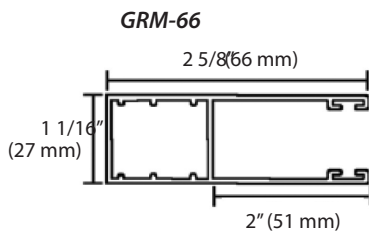
Profile Options



Profile Combination	Maximum Opening Width (A2)	Maximum Opening Height (B1)	Maximum Opening Area (A2 x B1)	Profile Combination Weight per Area (Both Grille and Perf)
Grille/Perf only	118 1/16"	220 15/32"	11,625 in ²	0.0089 lbs/in ²
	3 m	5.6 m	7.5 m ²	6.26 kg/m ²
3 Grille/Perf + 1 Reinforcement Bar	137 3/4"	220 15/32"	16,275 in ²	0.0100 lbs/in ²
	3.5 m	5.6 m	10.5 m ²	7.06 kg/m ²
2 Grille/Perf + 1 Reinforcement Bar	157 1/2"	220 15/32"	18,600 in ²	0.0106 lbs/in ²
	4 m	5.6 m	12 m ²	7.44 kg/m ²
1 Grille/Perf + 1 Reinforcement Bar	177 1/8"	220 15/32"	20,925 in ²	0.0117 lbs/in ²
	4.5 m	5.6 m	13.5 m ²	8.21 kg/m ²

Component Options

Guide Rails:



Operators:

- Manual Operation:
Torsion Spring, Crank Rod
- Motorized Operation:
Standard Limit Motors, Somfy RTS Motors

A Torsion Spring and Crank Rod operators available only if weights comply with spring and gear options available. To determine if manual operation is available for your project, please contact our Channel Sales team.

Locks:

- Manual Sliding Lock Bars
- Centre Key Lock (Access Both Sides)

A Do not specify manual locks for motorized operators because failure to disengage the locks prior to operation will severely damage the rollshutter curtain. Specify hanger locks only for motorized operators.

Pricing and technical Support:

Contact our Channel Sales team to confirm technical specifications or receive a quote for your next Talius SAFE View project.

Multiple Section Rollshutters



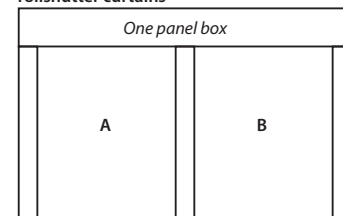
Available for HQ Macro, SHIELD Mini and SAFE Mini

A multiple section rollshutter has a single panel box and multiple curtain sections for the purpose of aesthetics or cost effectiveness. A split has multiple curtain sections with either a centre rail, two back to back rails or two back to back rails with a space in between. Multiple sections on the rollshutter can be operated with one or more operators.

About Splitting Rollshutters

In almost all cases where a rollshutter has one or more splits, and is controlled by a single operator, the horizontal level of the bottom profile may be out by approximately 1/4" (6 mm) to 3/8" (9 mm) between the first bottom profile and the last when the curtains are fully rolled up. This is a natural occurrence which does not affect the performance of the product and is purely an aesthetic issue.

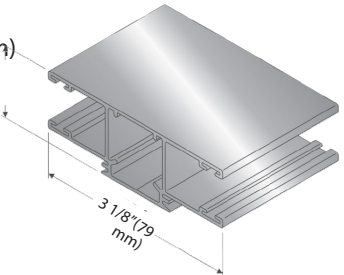
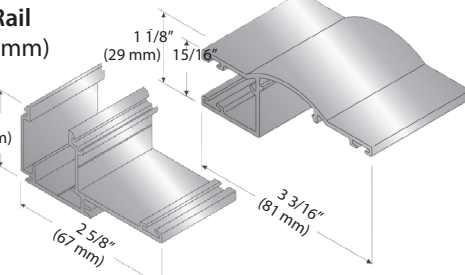
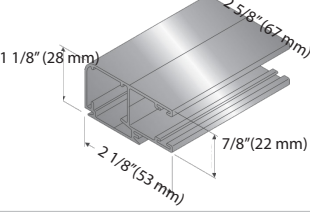
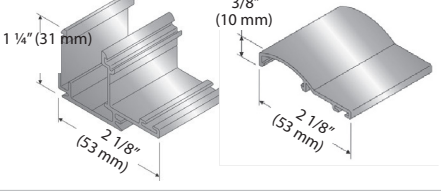
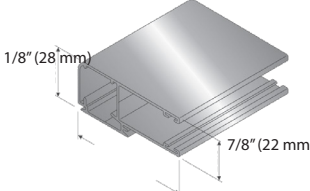
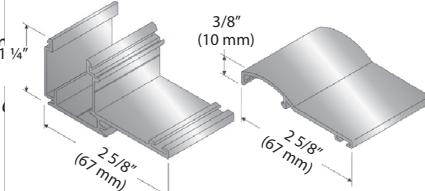
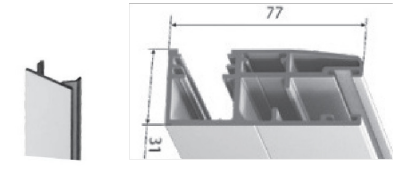
Example: One panel box with two rollshutter curtains



Maximum Dimensions

HQ Macro, SHIELD Mini and SAFE Mini have a maximum overall panel box width of 230" (5.8 m). For approximate maximum section widths and heights, please refer to the individual profile pages. AG-77 and SAFE View rollshutters are available as single span units only.

Centre Rail Options – Per One Split Location

<p>1 x PRO Centre Rail Includes 1/4" 1 1/8" (6.5 mm) (28 mm) build-up. <i>Same application restraints as the PRO Rail</i></p> 	<p>1 x SAFE Centre Rail Includes 1/4" (6.5 mm) build-up. <i>Same application restraints as the SAFE Rail</i></p> 
<p>2 x PRO Rails: Includes 1/4" (6.5 mm) build-up <i>Same application restraints as the PRO rail</i></p> 	<p>2 x SAFE Rails: Includes 1/4" (6.5 mm) build-up <i>Same application restraints as the SAFE rail</i></p> 
<p>2 x PRO-40 Rails: Includes 1/4" (6.5 mm) build-up <i>Same application restraints as the PRO-40 rail</i></p> 	<p>2 x SAFE-40 Rails: Includes 1/4" (6.5 mm) build-up (31 mm) <i>Same application restraints as the SAFE-40 rail</i></p> 
<p>2 x SafeGuard Rails: Includes 1/4" (6.5 mm) build-up. <i>Same application restraints as the SafeGuard rail</i></p> 	<div style="border: 1px solid black; padding: 10px;"> <p>A When requesting a quote or placing an order for a split rollshutter, please complete the Multiple Curtain Rollshutters spec sheet on Page 4.</p> </div>

Pricing: Please contact our Channel Sales team.

■ Paint Options

Talius offers 5 standard rollshutter colors (some exceptions apply) and over 1800 custom color options.



(Colours shown above may not display accurately on electronic devices or when reproduced - please refer to samples provided in your Talius dealer kit)



Custom Paint Options

Over 1800 custom colour options are also available, based on selections from the Benjamin Moore paint fan.

Most Popular Custom Painted Components	1 to 4	5 +
Rollshutter Unit - All components	\$ 1130 ea.	\$ 1048 ea.
Rollshutter Curtain - both sides identical custom colour	\$ 645 ea.	\$ 563 ea.
Rollshutter Curtain - one side only custom colour	\$ 966 ea.	\$ 846 ea.
Rails, Bottom Profile, Sill, Build-Up & Rollshutter Curtain - both sides identical custom colour	\$ 884 ea.	\$ 809 ea.
Rails, Bottom Profile, Sill, Build-Up & Panel Box	\$ 765 ea.	\$ 682 ea.
Rails, Bottom Profile, Sill, Build-Up	\$ 526ea.	\$ 444 ea.
Panel Box	\$ 526 ea.	\$ 444 ea.
Custom colour chip matching or spray-outs	\$375 ea.	



- All the above prices are applied per one rollshutter unit. Do not charge more if a unit is split and contains more than two rails, additional build-up, etc.
- Price per unit drops with greater quantity due to fixed set-up costs
- There is no up-charge for custom colours on Aluminum Build-Up Tubing only.

Talius Anti-Graffiti Coating

Talius non-sacrificial Anti-Graffiti coating is designed to allow for easy clean-up of graffiti from the exposed rollshutter surfaces.

Talius Anti-Graffiti coating is a modified aliphatic-polyurethane coating with enhanced abrasion resistance to provide resistance to chemicals, abrasions and impact. It is a clear coat that provides a gloss finish over stock and custom colors, and offers color retention and a non-stick surface. Talius Anti-Graffiti coating is applied with a dry film thickness of 1.0 –2.0 mils (25-50 microns). Hardness: ASTM D3363, 2H. Solvent Resistance: ASTM D4752, 100 MEK rubs; NO failure. Abrasion Resistance: 1000 cycles CS-17, ASTM D4060, 32 mg loss. Impact Resistance: ASTM D2794, 40 in lbs; NO failure. Flexibility: ASTM D522, 1/8" mandrel bend; NO failure.

Includes coating on all components. Curtain and Bottom profile on public side only.	Price
	\$ 675/unit



Paint Options (continued)

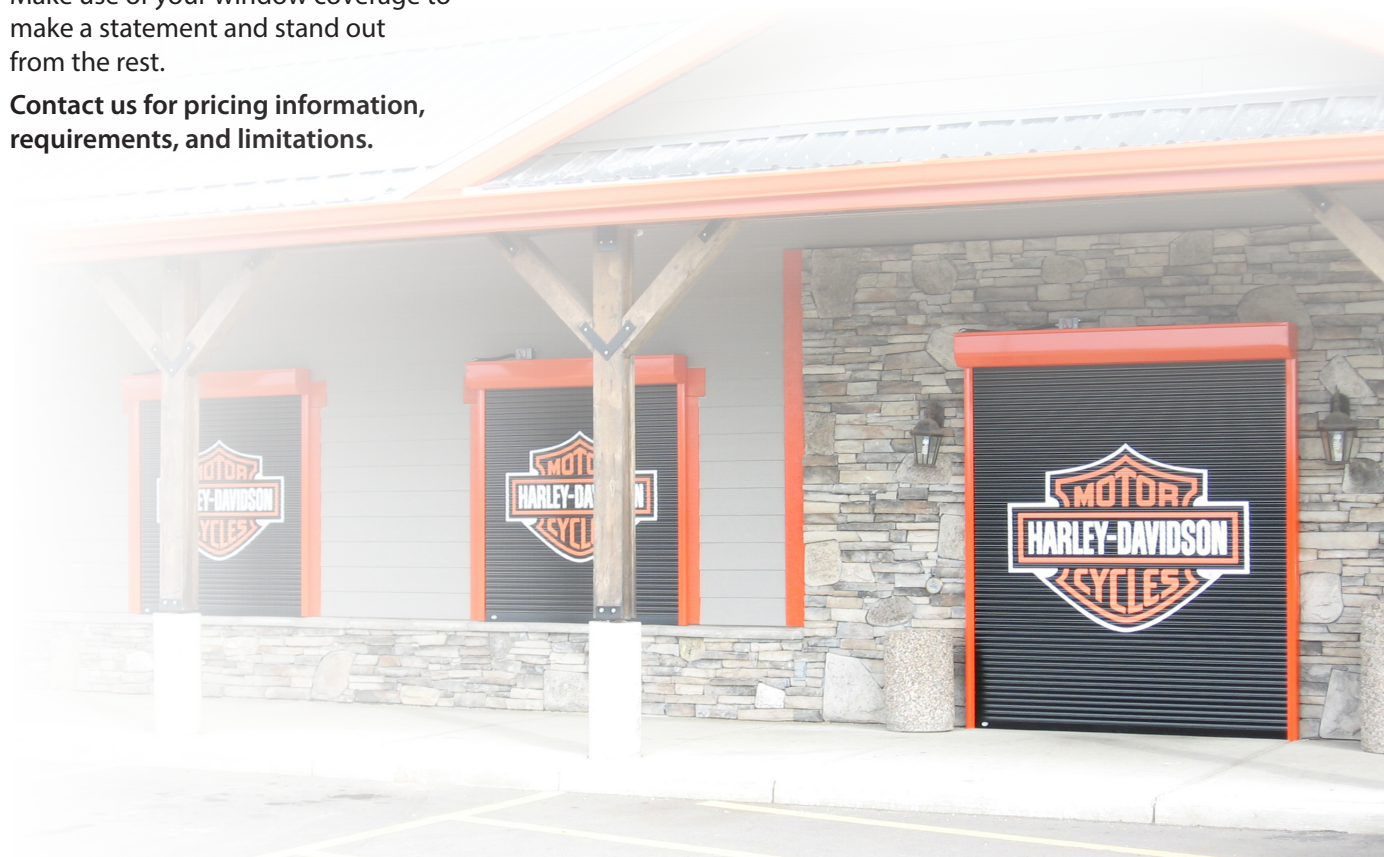
Logo Printing

Talius rollshutter curtains provide an excellent opportunity to attract attention during closure periods while maintaining protection against vandalism and break-ins.

Print your logo, advertise products or add a photo quality image directly on the Rollshutter curtain.

Make use of your window coverage to make a statement and stand out from the rest.

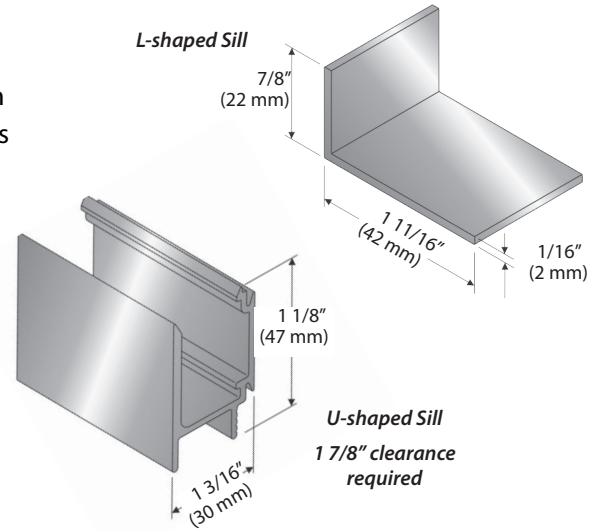
Contact us for pricing information, requirements, and limitations.



■ Sills

Sills are charged by the lineal amount as shown. Use these sills when a natural sill is not present (window sill, floor). The SAFE U-sill accepts our build-up just like a SAFE guide rail.

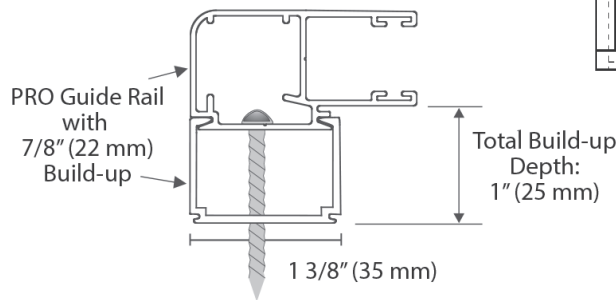
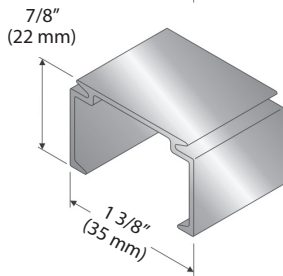
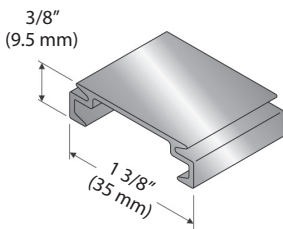
	Size		Lineal Price	
	inch	mm	/ m	/ inch
L-Shaped Sill	7/8 x 1 11/16	22 x 42	\$ 17	\$ 0.44
SAFE U-Sill	1 3/16 x 1 1/8	30 x 47	\$ 36	\$ 0.92



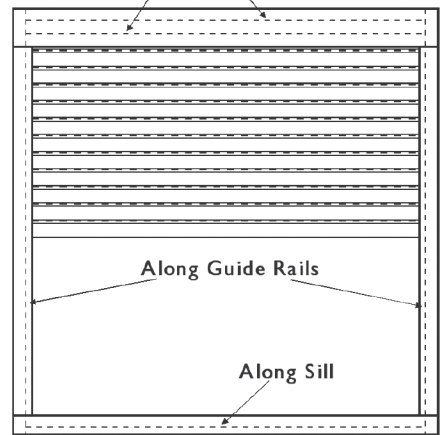
■ Build-Up

Aluminum build-up is priced by the lineal amount. Possible applications of the rectangular shaped build-up are shown below. There are two sizes, 3/8" and 7/8" (9.5 mm and 22 mm). Their most popular combinations are shown and priced out in the following table. For greater build-up depths, use aluminum build-up tubing found on page 40. Remember that all PRO and SAFE guide rails already include 1/4" (6.55 mm) build-up, half of which will be swallowed by the first layer of build-up added. The resulting totals of the various build-up combinations with the guide rail types are shown in the following table.

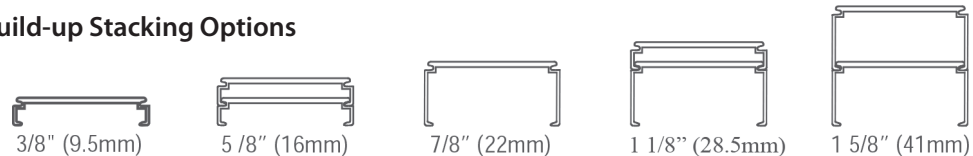
3/8" & 7/8" Build-up



Along Lower or Upper Edges of Panel Box



Build-up Stacking Options



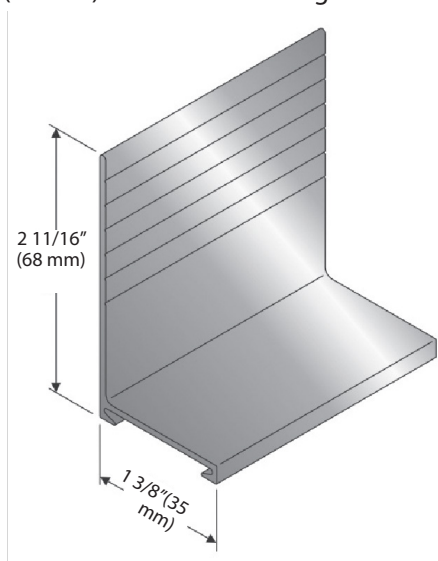
	Total Build-Up Depth with Rail Type				
GR-75/GRM-66 Rails	3/8" (9.5 mm)	5/8" (16 mm)	7/8" (22 mm)	1 1/8" (28 mm)	1 5/8" (41 mm)
PRO-SAFE Rails:	1/2" (13 mm)	3/4" (19 mm)	1" (25 mm)	1 1/4" (32 mm)	1 3/4" (45 mm)
Price/m	\$ 15	\$ 25	\$ 17	\$ 28	\$ 31
Price/inch	\$ 0.39	\$ 0.64	\$ 0.44	\$ 0.72	\$ 0.79

Build-up (continued)

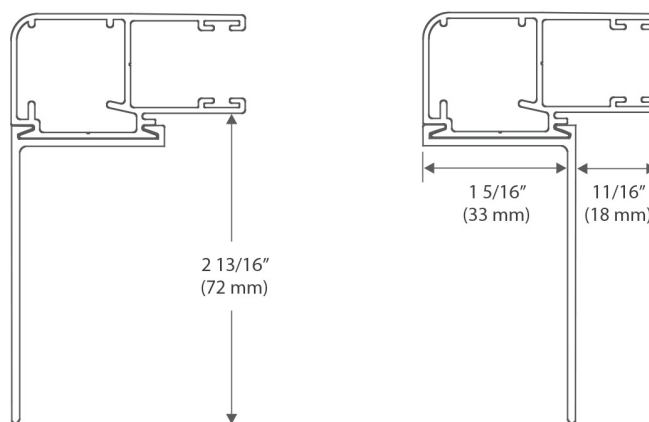
L-Shaped Build-Up

The L Build-Up may be slid onto the PRO or SAFE guide rail or regular Build-Up. Its flange is marked with tiny grooves for easy, straight cutting down to required size on job site. It may be slid onto a rail with the flange flush to the edge of the rail or 1 5/16" (33 mm) offset from the edge of the rail.

Total L Build-up depth with PRO Rail	Lineal Price per	
	metre	inch
2 13/16" (72 mm)	\$ 30	\$ 0.77



Mounting Choices



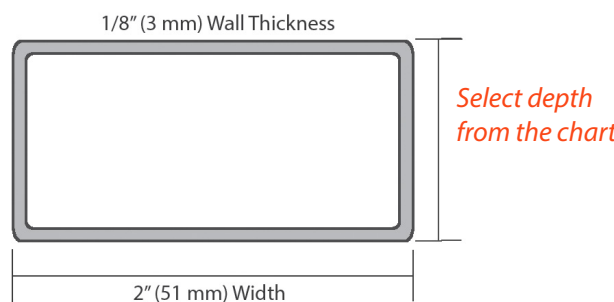
Build-Up Tubing

The Slide-on and L-Shaped build-up will be suitable for most applications where additional clearance is required. However, when build-up depth exceeds 1 3/4" (45 mm), it is recommended that build-up tubing is used for greater surface mounting stability. Build-up tubing is priced by the lineal amount from the following table. Build-up tubing pricing includes all standard colours and there is no up-charge for custom colours.

	2" x 1" (51 mm x 25 mm)	2" x 2" (51 mm x 51 mm)	2" x 3" (51 mm x 76 mm)	2" x 4" (51 mm x 104 mm)
Price / metre	\$ 96	\$ 117	\$ 132	\$ 146
Price / inch	\$ 2.44	\$ 2.98	\$ 3.36	\$ 3.71



As aluminum build-up tubing requires painting, please allow up to one additional week for delivery



■ Locking Options

Project planning tip



Do not specify sliding bar locks for motorized operators because failure to disengage the locks prior to operation will severely damage the rollshutter curtain. Specify hanger locks only for motorized operators.

Manual Sliding Lock Bars

- Typical Applications: counter enclosures where security is not a priority
- Compatible with HQ Macro, SHIELD Mini, SAFE Mini™ and SAFE View rollshutter curtains. Not compatible with SAFE U-Sill
- Not recommended for motorized rollshutters

Security Level	Price
Low	\$ 70 per curtain section



Centre Key Lock (Access Both Sides)

- Typical Applications: counter enclosures, doors with torsion spring operators
- This lock can be accessed from both sides of the rollshutter unit
- This lock can be located up to 32" up from the bottom of the bottom profile
- Only compatible with SAFE U-sill if lock is located higher than the bottom profile
- Compatible with HQ Macro, SHIELD Mini, SAFE Mini™ and SAFE View rollshutter curtains
- Not recommended for motorized rollshutters

• Finished side with keyed access



Security Level	Price
Medium	\$ 205 per curtain section
Keyed alike: Add \$ 35 per curtain section	

Back Side of Bottom Profile • Side Facing away from public with keyed access



Octopod Centre-Mounted Sliding Bar Key Lock

- Typical Applications: counter enclosures where high security is needed, torsion spring operated units where high security is needed.
- Operable from one side only
- Features a mortise cylinder that allows for key matching to common commercial 1 1/8" mortise cylinder locks
- Features a heavier return and more solid internal mechanism, making it stronger and more secure
- Compatible with HQ Macro, SHIELD Mini, AND SAFE Mini™ rollshutter curtains
- Not compatible with SAFE U-Sill
- Not recommended for motorized rollshutters

Security Level	Price
High	\$ 478 per curtain section
Keyed alike: Add \$ 35 per curtain section	



Locking Options *(continued)*

Talius Hanger Locks

- Typical Applications: windows, doors, counter enclosures, units with manual or motorized operators
- Lock engages and disengages automatically
- Lock is concealed inside the panel box of a rollshutter making tampering by intruders less likely
- Can resist up to 100 kg of vertical upward force
- Compatible with SAFE U-sill
- Compatible with HQ Macro, SHIELD Mini and SAFE Mini™ rollshutter curtains
- Not compatible with tape operators or torsion spring operators

Security Level	Price
High	\$ 137 per curtain section

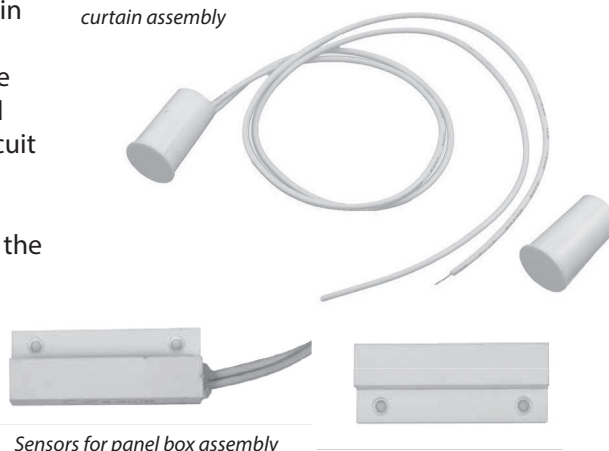


Talius Magnetic Alarm Sensors

- Typical Applications: windows and doors
- Installed within the rail and the adjacent rollshutter curtain profile and/or installed within the panel box
- Magnetic sensors align with one another which closes the circuit to the alarm. If an intruder attempts a break-in and manages to separate the sensors by more than 1", the circuit becomes open and the alarm is triggered
- Compatible with SAFE Mini™ rollshutter curtains only
- Motors must be located on left end-plate as viewed from the shaft access side when this option is selected

Security Level	Price
High	\$ 108 Installed in Curtain
Add \$ 77 for additional set installed in panel box	

Sensors for rail and curtain assembly



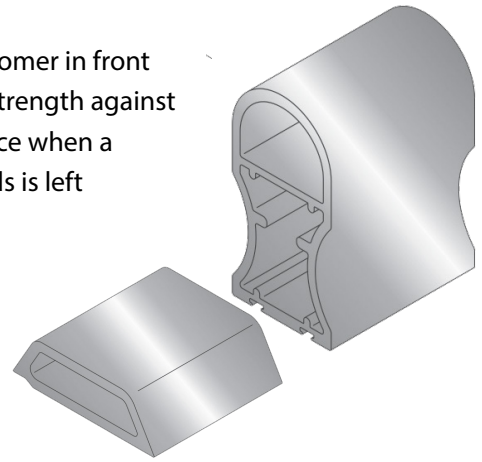
Sensors for panel box assembly

■ Storm Bars & Cross Bars

Storm bars are strong aluminum extrusions mounted temporarily by the customer in front and/or behind the rollshutter curtain. Their purpose is to provide additional strength against curtain blow outs by strong winds. Customers typically clip a storm bar in place when a storm warning is issued or when a rollshutter in an area with high wind speeds is left unoccupied over a period of time.

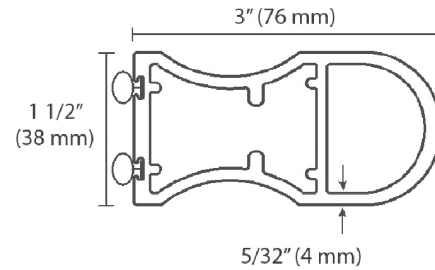
The design of storm bars allow for easy and fast clip-in action at the top and bottom. Rollshutters are able to operate while storm bars are in place. A rollshutter equipped with a storm bar in the curtain centre typically experiences an increase in the blow out wind speed limit in excess of 50%.

Rollshutters that have no barrier behind them, such as a window or door, required a storm bar on both sides of the curtain. This is to protect against blow outs in both directions due to positive and negative wind forces. In these cases, one such pair of storm bars account only for the increase in wind load protection of a single storm bar. See next page for mounting examples.



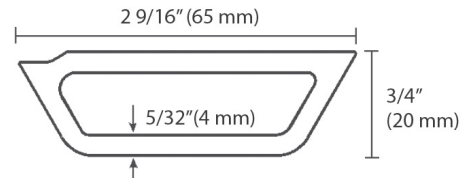
Storm Bar

Fixed Price Per Item	Plus: Lineal Height Price	
	per Metre	per Inch
\$ 69	\$ 124	\$ 3.15



Cross Bar

Fixed Price Per Item	Plus: Lineal Height Price	
	per Metre	per Inch
n/a	\$ 76	\$ 1.94



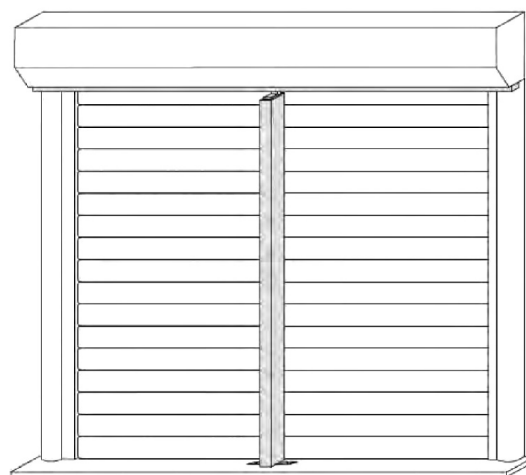
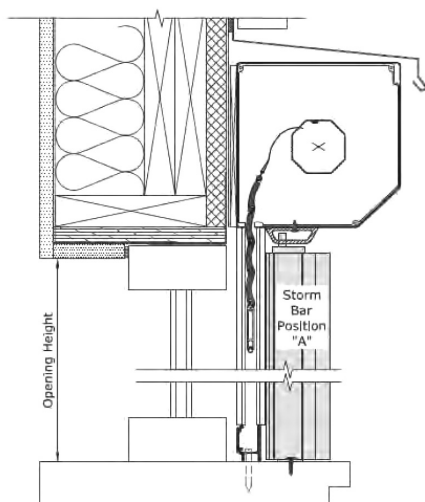
Both the Storm Bar and the Cross Bar are needed. For pricing purposes, price the Storm Bar at guide rail height (B1) and the cross bar at A1 lengths. See next page for mounting options and suggestions. When ordering, please complete the Multiple Curtain & Storm Bar Specification Sheet on page 4.

Storm Bars & Cross Bars (continued)

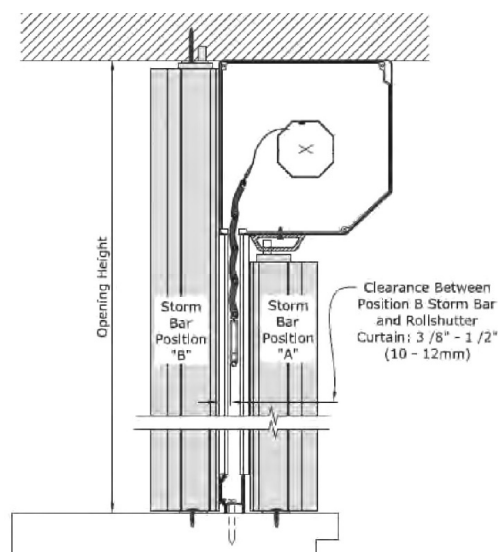
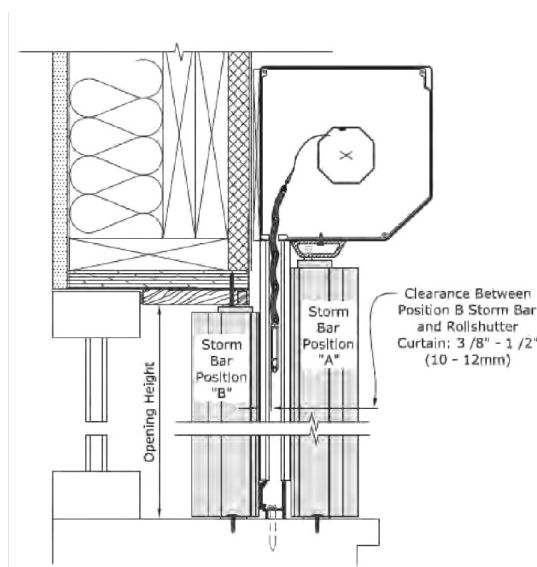
Storm Bar Mounting Location Examples:

The following is an example of a typical mounting location for most applications. You may order one or more storm bars for Position A. For Position A locations, the factory will base the default storm bar height on the height of the guide rails, unless you specify otherwise.

- A** The cross bar will be mounted tight against the folded lip of the panel box removable access lid, providing the proper clearance between the storm bar and the face of the curtain.



Below are two examples of alternate mounting locations. You may order one or more storm bars for Position "B" only, or for Positions "A" and "B". For Position "B" locations, you must specify the opening height where the storm bar is to be located. Mounting plates will be provided for Position "B" storm bars, and must be positioned on site so that the clearance between the storm bar and the face of the curtain is between 3/8" – 1/2" (10 – 12mm).



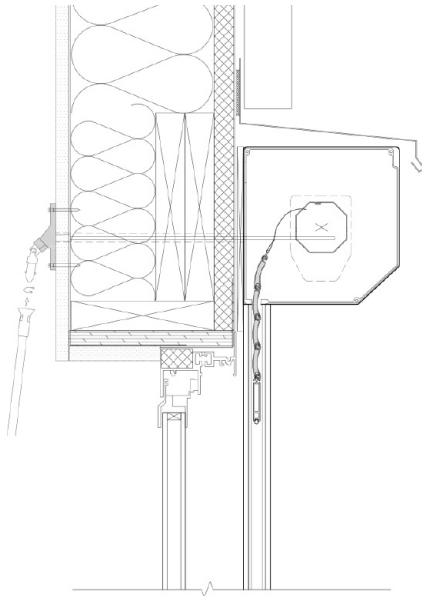
Operator Options

Manual Operators • Gear with Crank Rod

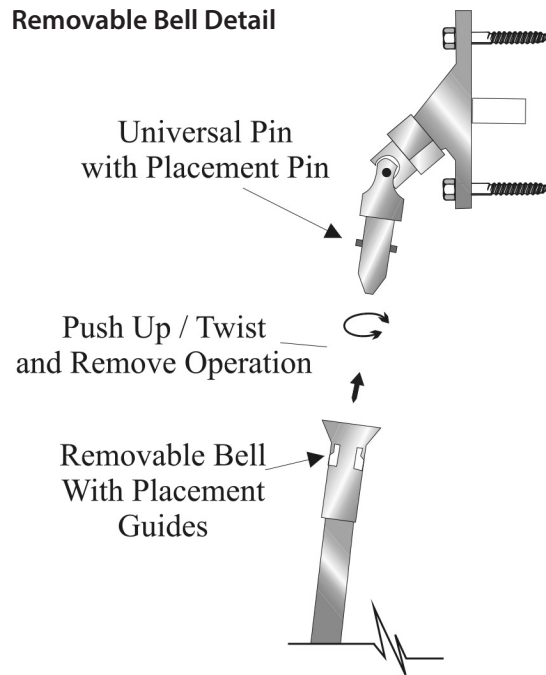


Standard crank rod lengths are 68" in extended position. If a custom length is required, please note this on your order spec sheet.

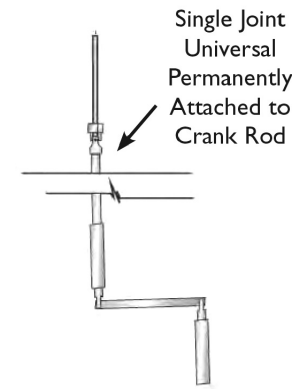
Regular Side Operator



Removable Bell Detail

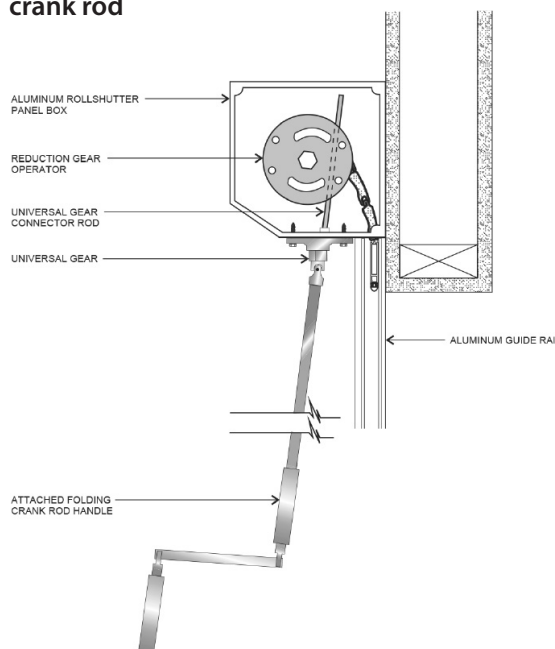


Manual Override Crank Rod

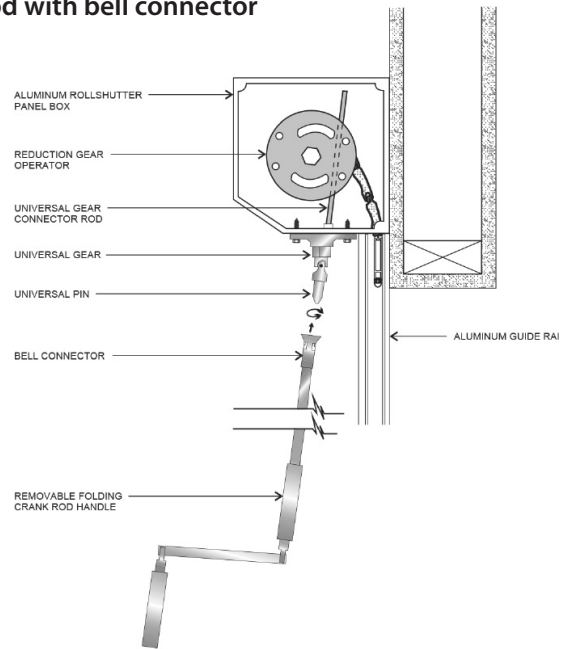


Reverse Side Operators

Gear with attached crank rod



Gear with removable crank rod with bell connector



Operator Options (continued)

Motorized Operators

Talius offers two main motor options for Rollshutters; Standard Limit Motors and Somfy RTS Motors. Both motor types are available in a variety of torque capacities to operate any size of Rollshutter.

Standard Limit Motors

High-quality Standard Limit tubular motors are designed for reliable, long-lasting, maintenance-free operation. These motors are hard-wired, with hard-wired switches, and feature mechanical limits. The standard limit motor can be operated with the flip of a switch or the push of a button. Choose from a variety of controls including: single switches for individual operation such as Decora Paddle Switches or Key-switches, or add relays to allow for group control of multiple Talius products from one master location.

Standard Features:

- 110v/60 Hz
- Thermal overload switch
- UL/ULC certified
- 6-10' Motor cable

Somfy RTS Motors

Somfy Radio Technology (RTS) products provide flexible, convenient options. They feature built-in radio frequency receivers and electronic limit switches for simple programming. The motors can be operated via hand-held transmitter(s), wireless wall switches, timers, or even from the convenience of a smart device. When combined with the appropriate interface, this motor will integrate with a fire alarm, or building automation system.

Standard Features:

- Invertible position
 - Standard 6-10' cable with 24' cable options
 - UL/ULC certified
- are available for an additional charge



Both Standard Limit Motors and Somfy RTS Motors have manual override motor options

Motor Preparation Package

Purchase this package with a manual operator if there is concern that the customer may find it difficult to operate the manual Rollshutter in future years, or if the customer simply does not wish to spend the additional cost for a motorized operator at this time but may want to motorize in the future. This package installs during manufacturing all the necessary components, except the motor and switch, for motorized operation. This makes it less time consuming and expensive for the customer to convert to a motorized operator at a later time. The customer simply purchases a motor and switch in the future, and the installer can easily remove the existing manual operator and field-install the new motor and switch, without any further components required.

PRICE	\$42
-------	------

Motor Tester Cables

A practical way to test motors on all Talius products

- 6' of motor wire
- 4 motor wire connectors
- Momentary toggle switch

PRICE

\$ 71

Stock#: TO-0040

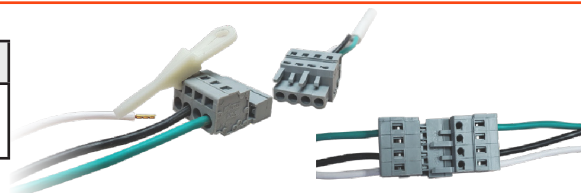


Electrical Disconnects

A simple and convenient way to disconnect power to a motor without having to turn power off at breaker. Stock#: MO-0880 & MO-0890

PRICE

\$ 22 ea.



Operator Options (continued)

Switches for Standard Limit Motors

If you have selected your rollshutter with standard limit motorized operation, you'll need to select an appropriate switching device for your motor. Numerous options exist from simple switches and key switches, to Group Control, Timers, and Remote Control. The following pages contain typical switching components that you may select from. **For more special switching requirements, such as sun and wind sensors or home automated controls, please contact Channel Sales for additional switching solutions that may be available for your application.**



A certified electrician should perform all wiring connections for motors and switching devices. Follow the approved wiring information provided for each motor and switching device, and do not deviate without approval from the manufacturer. **DO NOT** wire more than one Standard Limit Tubular Motor to a single switch without the use of special switching devices available through the manufacturer. Only switching controls for tubular motors approved by the manufacturer can be used on our rollshutters to prevent voiding the warranty, possible damage to your product and home, or personal injury. Contact the manufacturer for additional information or clarification on any electrical component.

Standard limit motors are easily operated with the flip of a switch or the push of a button. Choose from a variety of controls including:

- Single switches for individual operation.
- Group controls for operating multiple Talius products from one location.
- Timer switches for convenient, automated opening and closing.

What is the difference between Maintained and Momentary Switches?

Maintained switches are three-position switches featuring an up, down and stop position. Maintained switches are designed to allow the user to operate the switch in the direction of their choice (up or down) and the switch will operate the rollshutter continuously until it has hit its upper or lower limit unless otherwise interrupted in the stop position.



Maintained switches allow the operator to let go of the switch and allow the motor to keep running until it reaches its upper or lower limit.

Momentary switches are three-position switches featuring an up, down, and stop position. Momentary switches are designed to allow the user full control of the operation of the rollshutter by having to keep contact with the switch in the direction of their choice (up or down) and the ability to stop the operation by releasing their hold on the switch.

Momentary switches are ideal for areas in which safety of small children or animals is a concern, or where the operator needs to monitor the operation of the rollshutter to ensure that it does not project downward on any objects that may damage the objects or the rollshutter.

Operator Options (continued)

Standard Limit Motor Component Options

If you have selected your single-section Rollshutter with motorized operation, it will come with the switch included in the list price. There are several optional switching components that you may select shown below. For more complex switching requirements, please contact us for assistance.

Standard Limit Motor Wall Switch Operators

Paddle Switch

Decora maintained or momentary contact, SPDT
White, Maintained - CO-0170
White, Momentary - CO-0180

PRICE:	\$ 76
--------	-------

Decora maintained contact only, DPDT
White - CO-0210

PRICE:	\$ 130
--------	--------



Medium Security Key Switch

Maintained or momentary contact, SPDT,
• 2 keys, non re-keyable.

For interior use only unless used with an optional watertight faceplate

Maintained - CO-0350
Momentary - CO-0360

PRICE:	\$ 172
--------	--------



Additional Pair of Contact Blocks

For medium security key switch. Turns a SPDT key switch into a DPDT switch (requires an extra deep box)

Stock #: CO-0390

PRICE:	\$ 54
--------	-------

Additional Key
Pre-cut for medium security key switch

Stock #: CO-0370

PRICE:	\$ 24
--------	-------



High Security Key Switch

Maintained or momentary contact, SPDT

- 3 keys, re-keyable on site.
- Contained in a watertight steel box for interior or exterior surface-mount. Box measures 3 1/2" H x 2 3/4" W x 2 3/4" D

Keyed Different Maintained - CO-0440
Keyed Different Momentary - CO-0450
Keyed Alike Maintained - CO-0490
Keyed Alike Momentary - CO-0460

PRICE:	\$ 307
--------	--------



High Security Key Switch Faceplate

For recess mounting high security key switch
Silver Stock #: CO-0480

PRICE:	\$ 55
--------	-------



Additional Key Blank

For high security key switch

Stock #: CO-0380

PRICE:	\$ 11
--------	-------

Screwdriver Bit
For security screws

Stock #: TO-0010

PRICE:	\$ 39
--------	-------



Specialty Motor Controllers for Garage Door Applications

Talius recommends the following motor controllers for garage door applications. Please check with your local building code requirements to ensure that all building and safety requirements are met prior to placing your order with Talius.

RC200 RF Remote Control Receiver/Motor Controller

For Standard Limit Motors only. Controller/Receiver must be wired to motor and power source.

- surface mount, for one motor.
- Use with any TRAN-series switches

Stock #: CO-1130

PRICE:	\$ 206
--------	--------



Options: Add one or more optional momentary-contact standard switches. Use with Safety Sensing Beam for automatic safety motor reversing.

TRAN202 RF Remote Control Transmitter

Handheld transmitter for use with the RC200 Receiver only.

- Up to 2 channels.

Stock #: CO-1150

PRICE:	\$ 73
--------	-------



Safety Sensing Beam System

For use with the RC200 Receiver only, Upon interruption of the beam during curtain closure, the motor automatically reverses from the "down" direction to the "up"

- for one motor.
- Includes 12-volt transformer with plug.

Stock #: CO-1180

PRICE:	\$ 267
--------	--------



TRAN204 RF Remote Control Transmitter

Handheld transmitter for use with the RC200 Receiver only.

- Up to 4 channels plus group operation

Stock #: CO-1160

PRICE:	\$ 121
--------	--------



Operator Options (continued)

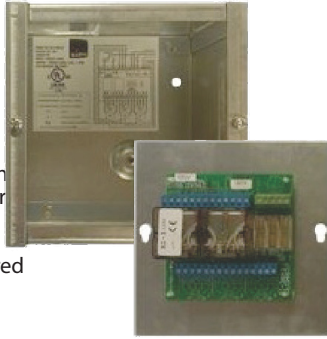
Motor Controllers for Group Control Applications

Talius recommend the following motor controller options for group control applications. Please contact Talius if you have any questions regarding the configuration of the group control or for further information on the following options.

RI2M Two-Motor Controller

For control of two motors simultaneously, or add additional RI2M and/or RI3M controllers for group control.

- Requires at least one optional momentary-contact standard switch.
- For Standard Limit Motors only. Controller must be wired to motor and power source



Grey
Stock #: CO-1230

PRICE:	\$ 366
--------	--------

Options: Add any optional momentary-contact standard switch for individual motor control.

RI3M Three-Motor Controller

For control of three motors simultaneously, or add additional RI2M and/or RI3M controllers for group control.

- Requires at least one momentary-contact standard switch.
- For control of three motors simultaneously, or add additional RI2M and/or RI3M controllers for group control.
- For Standard Limit Motors only. Controller must be wired to motor and power source



Grey
Stock #: CO-1240

PRICE:	\$ 333
--------	--------

Options: Add any optional momentary-contact standard switch for individual motor control.

Somfy GCS II Four-Motor Controller

For control of 4 motors simultaneously, or add additional GCSII Four-motor controller for group control.

- Requires one momentary-contact standard switch
- For Standard Limit Motors only. Controller must be wired to motor and power source



Grey
Stock #: CO-1250

PRICE:	\$ 655
--------	--------

Options: Add any optional momentary-contact standard switch for individual motor control.

Individual Group Control (IGC) 4N1 Motor Controller with DecoFlex Dry Contact Switch

Provides individual and group control for up to 4 standard limit motors. The DecoFlex dry contact switch operates as a maintained switch.

Grey
Stock #: CO-1255

PRICE:	\$ 827
--------	--------



DecoFlex® Dry Contact Keypad

For use only with IGC 4N1 Motor Controller only, this is a stationary wall control which installs in minutes without an electrician. Fits standard Decora style opening.

White
Stock #: CO-1256

PRICE:	\$ 83
--------	-------



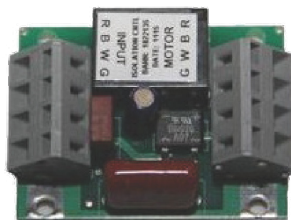
Somfy® Isolation Control

This control may be used on job sites where motors have been wired in parallel in error.

- Can be used where one SPDT switch is controlling 2 or more motors.
- Using 1 control per motor will protect motors from damage. The control should only be used with momentary switches.
- The isolation control can also be used whenever a single motor is operated via two or more switches. The control protects the motor from having both the up and down directions activated simultaneously

Grey
Stock #: CO-1200

PRICE:	\$ 79
--------	-------



Somfy® Universal RTS Receiver

Connects to a standard 120V motor, allowing you to control that motor via Somfy's line of RTS compatible controls

White
Stock #: CO-0730

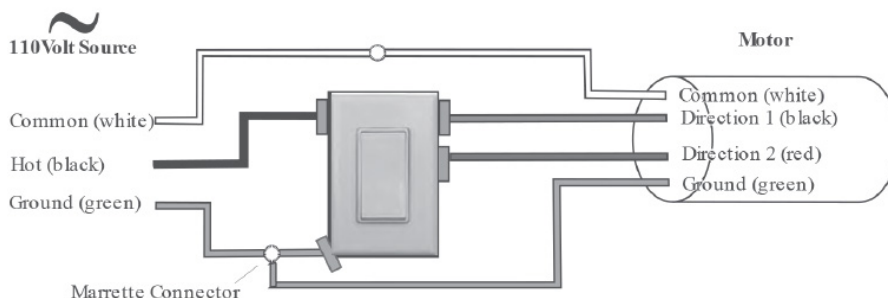
PRICE:	\$ 346
--------	--------



Operator Options (continued)

Important information about Talius Motor Operators for Standard Limit Motors

Proper Wiring of a Single Pole Double Throw (SPDT) Paddle Switch for Talius Motorized Rollshutters



Do not wire more than 1 motor to a switch. This practice is commonly referred to as wiring in parallel and incorrect wiring of Talius products will void the Talius manufacturer's warranty.

Problem:

Wiring multiple motors to a switch in parallel will result in constant capacitor feedback between the motors. This can cause damage to the motors and unstable operation of the rollshutters because as power is applied to the motors through direction wire A, power is also transferred between the motors through their direction wire B.

Symptoms:

- Motors will not hold their limits. This may not be noticed during the initial install
- Motors may generate abnormal noise
- Motor failure

Solutions:

- Supply one switch per motor
- Supply a Double Pole Double Throw (DPDT) paddle switch which has two separate poles and allows for a maximum control of two motors per switch
- Supply appropriate relay solution based upon customer control configuration requirements
- Contact TALIUS for more information on how to resolve this issue

Exceptions to this rule:

- Somfy RTS radio frequency motors
- Contact sensing motors



Do not wire more than one switch to a motor. Incorrect wiring of Talius products will void the Talius manufacturer's warranty.

Problem:

Wiring multiple switches to one motor may overload the motor capacitor and micro switches, resulting in irreversible damage to the motor.

Symptoms:

- Motor failure

Solutions:

- Supply one switch per motor
- Supply appropriate relay solution based upon customer control configuration requirements
- Contact TALIUS for more information on how to resolve this issue
- Use of momentary contact switches is not an acceptable solution

Exceptions to this rule:

- Somfy RTS radio frequency motors
- Motors when used with RC200, or Universal RTS radio frequency receivers and controlled via radio frequency controllers

Questions? Please contact Talius

Operator Options (continued)

Transmitters for Somfy® RTS Motors

If you have selected a rollshutter with Somfy® RTS motorized operation, an appropriate switching device will need to be selected. One of the benefits of the Somfy® RTS option is the ability to easily operate multiple units from a single transmitter. Talius offers transmitters that allow for the operation of up to 16 units on a single transmitter.

Somfy® transmitters have a range of approximately 65' through double reinforced concrete. However, this range can vary slightly based on factors such as interference, building construction, wiring, and location of components. If you find that you are having this issue or that you need a longer range, an RTS Repeater can be used to extend the range of the signal.

Control your rollshutter with your Smart Device

The Somfy® TaHoma™ allows you to use your smart device to control your Rollshutters even when away from home. The TaHoma allows for full control of your Rollshutter and includes individual control, group control, remote access and a 7-day schedule.



Do more with the services you love!



The Somfy TaHoma™ allows you to enjoy your Radio Technology Somfy® (RTS) motorized solutions even more with IFTTT (If This, Then That) technology.

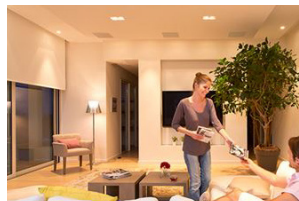
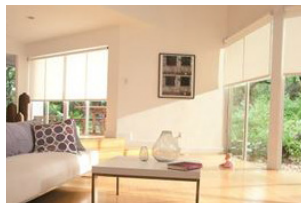
IFTTT is a free, web-based service that allows TaHoma to communicate with other smart home solutions easily.

Now, your connected devices and apps work together to create the ultimate ambiance, automatically.

Get started immediately with Applets by Somfy, or create your own, to maximize your experience based on conditions.

IF your connected thermostat reaches 90 degrees, THEN your RTS shades will automatically lower to reduce energy.

IF your connected lights dim after 9pm, THEN your bedroom shades lower for privacy!



Compatible with:



See Somfy® RTS Specialty Switches on page 58 for pricing.



Voice commands

Use natural voice commands to operate your RTS connected products.



App control

Harness the power of your favorite mobile device for Somfy-powered solutions.



Remote access

Activate Somfy-powered solutions even when you're away from home to maximize the many lifestyle benefits they provide such as energy savings, UV protection and privacy.



Timed events

Schedule motorized applications based on time of day or sunrise/sunset times.



On-screen setup wizard

Intuitive installation and setup allows you to enjoy your myLink experience in a few short minutes.



Flexible

Choose the best way to control up to 16 channels of motorized solutions with options such as individual control, group control, and more.



Compatible

Controls all Radio Technology Somfy® (RTS) products including motorized blinds, shades, curtains, screens, awnings, and rolling shutters as well as RTS enabled lighting devices. The myLink also works with third-party automation systems, Amazon Alexa and Google Assistant via IFTTT.

Operator Options (continued)

Somfy® RTS Transmitters

If you have selected your single-section Rollshutter with motorized operation, it will come with the switch included in the list price. There are several optional switching components that you may select shown below. For more complex switching requirements, please contact us for assistance.

Somfy® RTS Wall Transmitters

DecoFlex-1 RTS Transmitter

Single-channel radio frequency wall mounted transmitter.

White
Stock #: CO-0590

PRICE:	\$ 294
--------	--------



DecoFlex-5 RTS Switch

Five-channel radio frequency wall mounted transmitter.

White
Stock #: CO-0600

PRICE:	\$ 307
--------	--------



Somfy® RTS Handheld Transmitters

Lets you operate a motorized Rollshutter from anywhere in or around the building. These compact hand-held transmitters are personally coded for maximum security with up, stop and down push buttons make using them just as easy as a wall transmitter.



Situ 1 RTS Pure II Transmitter

Single-channel radio frequency hand-held transmitter.

White
Stock #: CO-0521

PRICE:	\$ 154
--------	--------



Situ 5 RTS Pure II Transmitter

Four-channel and group control radio frequency hand-held transmitter.

White
Stock #: CO-0522

PRICE:	\$ 200
--------	--------



Telis 16 RTS Pure Transmitter

16-channel and group control radio frequency transmitter with intuitive programming and easy-to-use interface.

White
Stock #: CO-0575

PRICE:	\$ 400
--------	--------

Motor Cable

Optional longer length Motor Cable. Cable installed on motor with pig-tail end. Plug in head to be supplied and installed by dealer on-site.

Stock #: MO-1790



24'
\$ 103

Operator Options (continued)

Somfy® RTS Specialty Transmitters

Telis 1 Chronis RTS 24 Hour/7 Day Timer

The Chronis Comfort Timer is a 7 day programmable timer that will automatically raise and lower Rollshutters based on the user's programmed time of day. The Chronis can be programmed to operate at the same time each day or at different times every day. It has a security function typically used while on vacation that will raise or lower Rollshutters randomly to give the impression of an occupied home.

White Stock #: CO-0695

PRICE:	\$ 321
--------	--------



Somfy® TaHoma™

Control the unit by using a smart device.

Control options include individual and group control, remote access and a 7 day schedule.

White Stock #: CO-1480

PRICE:	\$ 646
--------	--------



Smoove® 1 RTS Pure Transmitter

Single-channel surface-mounted and battery powered wall switch. Additional frames are available in multiple colors and finishes (sold separately).

- Tactile buttons for up/down/my/stop control
- LED illuminates to confirm RTS signal transmission
- Supplied with white faceplate

Stock #: CO-0585

PRICE:	\$ 124
--------	--------

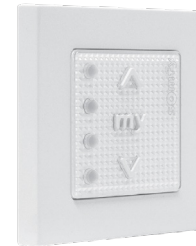


Smoove® Decorative Face Plates



Standard Upgrade Colours	
Black or Double Pure	\$ 22
Double Pure (2 gang)	

Premium Upgrade Colours	
Cherry, Silver Matte, Light Bamboo, Amber Bamboo, or Walnut	\$ 61



Smoove® 4 RTS Pure Transmitter

Multi-channel surface-mounted and battery powered wall switch for up to 4 motors or 4 groups. Additional frames are available in multiple colors and finishes (sold separately).

- Tactile buttons for up/down/my/stop control
- LED illuminates to confirm RTS signal transmission
- Supplied with white faceplate

Stock #: CO-0586

PRICE:	\$ 192
--------	--------

RTS Repeater

Designed to receive and then transmit a signal in cases where the motor is beyond the range of the transmitter switch.

White Stock #: CO-0740

PRICE:	\$ 327
--------	--------



Somfy® Key Chain Remote

Control RTS motors with this key chain transmitter.

- Only compatible with Somfy RTS Motors.

Black Stock #: CO-0505

PRICE:	\$ 129
--------	--------

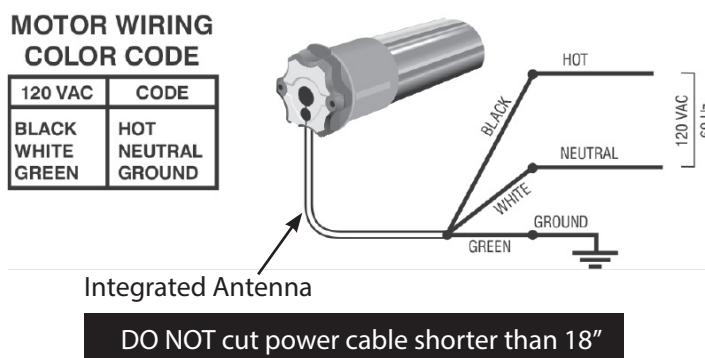


Operator Options (continued)

Somfy® RTS Motor Wiring Diagrams and Limit Setting Instructions

Power Supply (120 VAC / 60 Hz)

- All wiring must conform to NEC (National Electrical Code) and local codes.
- The ALTUS® RTS motors can be wired in Parallel. A means of disconnecting the power at each motor independently should be provided
- Power only needs to be supplied to the motor. The receiver is completely enclosed inside the motor tube.
- Somfy® reserves the right to void the motor warranty if wiring recommendations are not followed.







Somfy® RTS motors can be wired in parallel. For future servicing ease, Talius recommends setting up your site so you have the ability to disconnect power to each individual unit.





Somfy® RF product installation instructions

When you receive your Talius Rollshutter with a Somfy® radio frequency operated product, it will be in user mode. The installation process to adjust the limits is simple. Follow the steps below to ensure that the proper limits are set. Adjust each rollshutter individually before connecting and operating as a group.

① ADJUST THE **UPPER** LIMIT

- Move the motor to its preset **UPPER** limit position and let it stop
- Press the **UP** and **DOWN** buttons simultaneously on the transmitter until the motor jogs, then release  
- Adjust to a **NEW UPPER** limit position
- Press the **MY/STOP** button until the motor jogs, then release.  
- Check it

② ADJUST THE **LOWER** LIMIT

- Move the motor to its preset **LOWER** limit position and let it stop
- Press the **UP** and **DOWN** buttons simultaneously on the transmitter until the motor jogs, then release  
- Adjust to a new **LOWER** limit position
- Press the **MY/STOP** button until the motor jogs, then release.  
- Check it

For Limit Setting example watch: <https://youtu.be/fmyRXkBJ8MA>



These limit setting instructions apply to non-manual override motors only. For instructions on limit setting for manual override motors, please refer to the instructions enclosed with your small parts, view on MyTalius.com, or contact our Channel Sales team.

■ Tips for Integrating Rollshutters with Home Automation

The popularity of home automation has been increasing greatly in recent years due to technology becoming affordable for most and simple to use through smartphone and tablet connectivity. A home automation system integrates electrical devices in a house with each other. The techniques employed in home automation include those in building automation as well as the control of domestic activities. Devices may be connected through a home network to allow control by a personal computer, and may allow remote access from the internet. Through the integration of information technologies with the home environment, systems and appliances are able to communicate in an integrated manner which results in convenience, energy efficiency, and safety benefits. Talius Rollshutters can be integrated with a variety of home automation systems. To assist in specifying the right solution for your clients, please use the following questions as a guide. After you have obtained answers to these questions, please contact Talius with this information and let us consult you on determining the appropriate motor and interface solution for your client.

- 1. What is the name of the home automation system manufacturer?**
- 2. Is there an automation contractor involved?**
- 3. What is the application?**
 - a. Commercial or Residential?
 - b. Windows and/or Doors?
 - c. Are there concerns that the units might operate when a door, out opening casement or awning window is open?
 - d. Provide a general description of what our products are being used for and the desired function
- 4. How many rollshutter units are involved?**
- 5. What is the largest Rollshutter required for this project?**
- 6. What is the control configuration?**
 - a. Is individual control required?
 - b. Is master control required?
 - c. Is sub-group control required?
- 7. How will the units be operated?**
 - a. Strictly by the building automation system, or does the customer desire additional switches or controls?
- 8. Are there special control considerations?**
 - a. Does the client want remote control?
 - b. Are weather sensors requested?
 - c. Are times requested?
- 9. Is there any resistance from the building owner or automation contractor to using a Radio Frequency system?**
 - a. Are there considerations with respect to radio reception, interference or range that might lead us to stick with a hard wired solution?

This is basic guideline for considerations when integrating rollshutters with a home automation system. If you have any further questions, please contact our Channel Sales team.

Conversion Table

Inches		mm
1/64	0.015625	0.396875
1/32	0.031250	0.793750
3/64	0.046875	1.190625
1/16	0.062500	1.587500
5/64	0.078125	1.984375
3/32	0.093750	2.381250
7/64	0.109375	2.778125
1/8	0.125000	3.175000
9/64	0.140625	3.571875
5/32	0.156250	3.968750
11/64	0.171875	4.365625
3/16	0.187500	4.762500
13/64	0.203125	5.159375
7/32	0.218750	5.556250
15/64	0.234375	5.953125
1/4	0.250000	6.350000
17/64	0.265625	6.746875
9/32	0.281250	7.143750
19/64	0.296875	7.540625
5/16	0.312500	7.937500
21/64	0.328125	8.334375
11/32	0.343750	8.731250
23/64	0.359375	9.128125
3/8	0.375000	9.525000
25/64	0.390625	9.921875
13/32	0.406250	10.318750
27/64	0.421875	10.715625
7/16	0.437500	11.112500
29/64	0.453125	11.509375
15/32	0.468750	11.906250
31/64	0.484375	12.303125
1/2	0.500000	12.700000

Inches		mm
33/64	0.515625	13.096875
17/32	0.531250	13.493750
35/64	0.546875	13.890625
9/16	0.562500	14.287500
37/64	0.578125	14.684375
19/32	0.593750	15.081250
39/64	0.609375	15.478125
5/8	0.625000	15.875000
41/64	0.640625	16.271875
21/32	0.656250	16.668750
43/64	0.671875	17.065625
11/16	0.687500	17.462500
45/64	0.703125	17.859375
23/32	0.718750	18.256250
47/64	0.734375	18.653125
3/4	0.750000	19.050000
49/64	0.765625	19.446875
25/32	0.781250	19.843750
51/64	0.796875	20.240625
13/16	0.812500	20.637500
53/64	0.828125	21.034375
27/32	0.843750	21.431250
55/64	0.859375	21.828125
7/8	0.875000	22.225000
57/64	0.890625	22.621875
29/32	0.906250	23.018750
59/64	0.921875	23.415625
15/16	0.937500	23.812500
61/64	0.953125	24.209375
31/32	0.968750	24.606250
63/64	0.984375	25.003125
1	1.000000	25.400000

To convert:

Inches to Millimetres
multiply by 25.4

Millimetres to Inches
multiply by 0.03937
(For slightly greater accuracy divide by 25.4)

Feet to Metres
divide by 3.28

Metres to feet
multiply by 0.3048

Square Metres to square feet multiply by 0.09290304

Square Feet to square metres multiply by 10.76391041671



TALIUS[®]

SALES 6060 Silver Dr, Burnaby, V5H 0H5 Canada

MANUFACTURING 5501 - 46 Ave SE, Salmon Arm, BC, V1E 1X2

Canada **TOLL FREE** 888.550.6205

info@talius.com

www.talius.com